

- NOTES:
1. UNLESS NOTED, ALL RESISTANCE VALUES ARE IN OHMS, 1/4W, 10%.
 2. DIODES:

SILICON	ZENER	GERMANIUM
 3. R112 IS SELECTED TO MEET NOMINAL MPS VALUE FOR STEP 6.3.3. RESISTOR VALUES ARE 10.5K, 10.7K, 11.0K, 11.3K, 11.5, 11.8K, 12.1K.
 4. OBS RESOLVER B102 IS FLAVORABLE AS FOLLOWS:
 148-0028-100 USED ON -00-01, 04 B -05 UNITS.
 148-0042-00 USED ON -02, -03, -06 B -07 UNITS.
 5. C18 IS USED ON -02, -03, -06 B -07 UNITS. SEE 9.0M 250-0638-01 FOR P/N. SEE 300-0828-01 FOR MOUNTING INSTRUCTION.

FIGURE 6-26 KI 525A P.C. BOARD SCHEMATIC (Dwg. 002-00392-0000 R-BA)

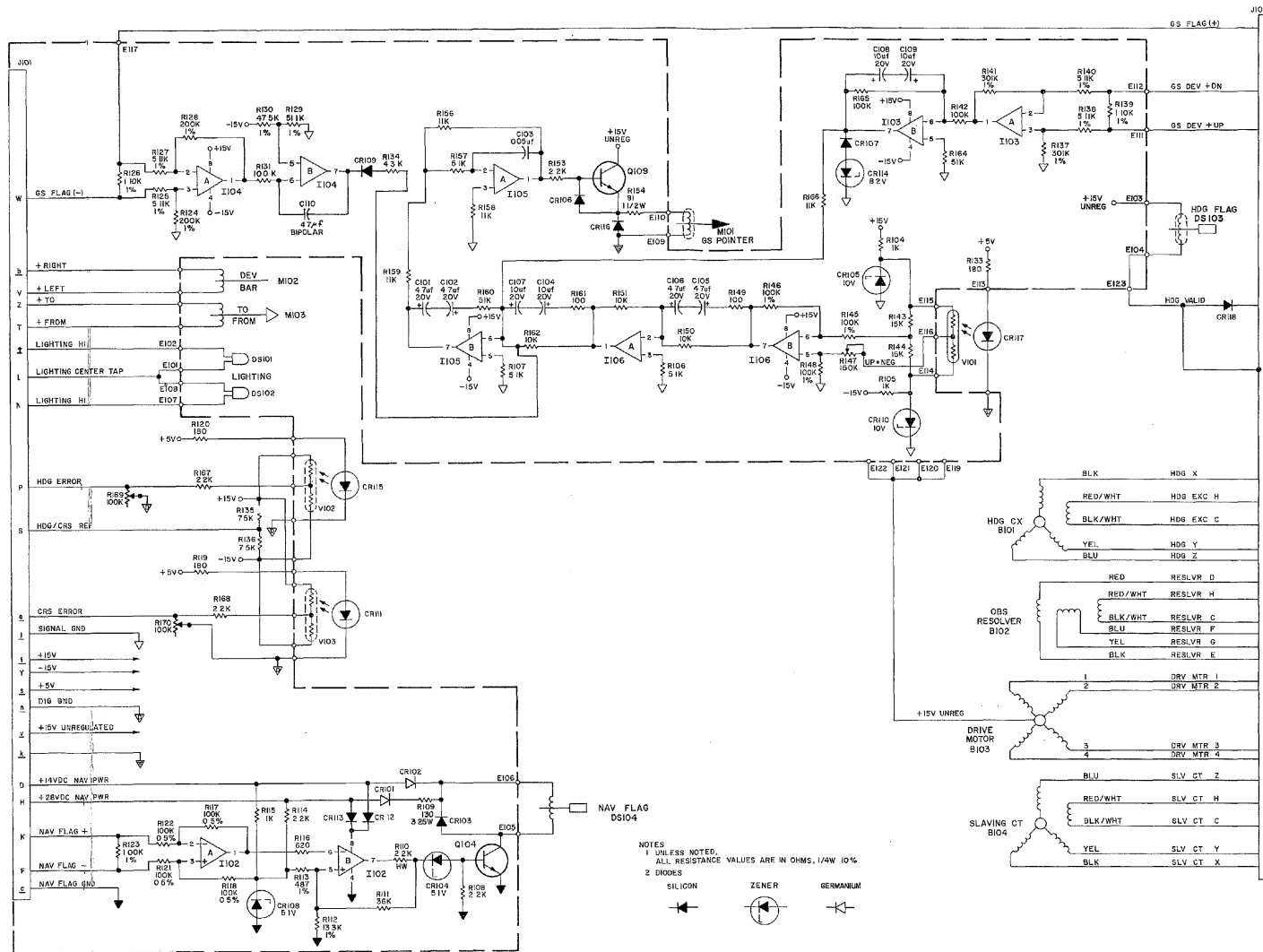


FIGURE 6-26A KI 525A P.C. BOARD SCHEMATIC
 (Dwg. 002-00392-0000 R-9)

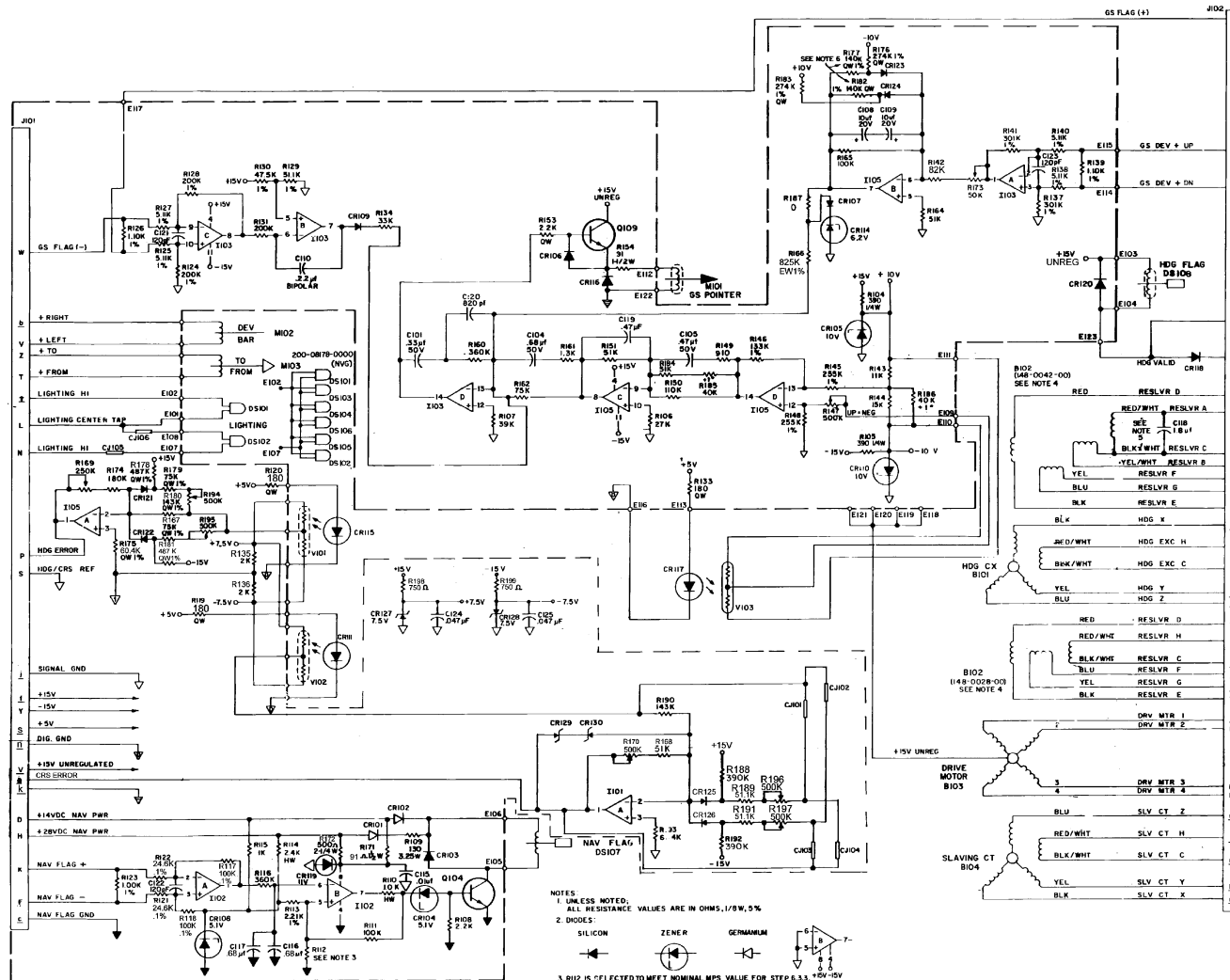


FIGURE 6-27 KI 525A P.C. BOARD SCHEMATIC
(Dwg. 002-00392-0001 R-BG)