

ACCESSORIES



POSITRONIC[®]
GLOBAL *Connector* SOLUTIONS

LOOK FOR OUR
NEW PRODUCTS!



Catalog C-007 Rev. E1

Connector Excellence[®]

Positronic Provides Complete Capability

Mission Statement

"To utilize product flexibility and application assistance to present quality interconnect solutions which represent value to customers worldwide."

Experience

- Founded in **1966**
- **Involvement** in the development of international connector specifications through EIA[®], IEC and ISO as well as PICMG[®] and VITA.
- Introduction of new and **unique connector products** to the electronics industry.
- Patent holder for many **unique connector features and manufacturing techniques**.
- **Vertically integrated** manufacturing – raw materials to finished connectors.

Technology

- **Expertise** with solid machined contacts provides a variety of high reliability connectors including high current density power connectors.
- Quality Assurance lab is **capable of testing** to IEC, EIA, UL, CUL, military and customer-specified requirements.
- **In-house design and development** of connectors based on market need or individual customer requirements.
- **Internal manufacturing capabilities** include automatic precision contact machining, injection molding, stamping, plating operations and connector assembly.
- **Manufacturing locations** in southwest Missouri, U.S.A. (headquarters); Puerto Rico, France, China, Singapore, and India. Total square footage: 407,441.

Support

- **Quality Systems:** Select locations qualified to ISO 9001, ISO 14001, AS9100, MIL-STD-790 and customer "dock to stock" programs. Applicable products qualified to MIL-DTL-24308, SAE AS39029, DSCC 85039, MIL-DTL-28748, Space D32, GSFC S-311-P-4 and GSFC S-311-P-10.
- Compliance to a variety of international and customer specific **environmental requirements**.
- Large **in-house inventory** of finished connectors. Customer specific **stocking programs**.
- Factory direct **technical sales support** in major cities worldwide.
- **One-on-one customer support** from worldwide factory locations.
- World class **web site**.
- **Value-added solutions** and willingness to **develop custom products** with reasonable price and delivery.



Regional Headquarters

Springfield, MO



Auch, France



Singapore



Products described within this catalog may be protected by one or more of the following US patents:

#4,900,261 #5,255,580 #5,329,697
#6,260,268 #6,835,079 #7,115,002

Patented in Canada, 1992 Other Patents Pending

Positronic Industries' **FEDERAL SUPPLY CODE** (Cage Code)
FOR MANUFACTURERS is **28198**

Unless otherwise specified, **dimensional tolerances** are:

- 1) ±0.001 inches [0.03 mm] for male contact mating diameters.
- 2) ±0.003 inches [0.08 mm] for contact termination diameters.
- 3) ±0.005 inches [0.13 mm] for all other diameters.
- 4) ±0.015 inches [0.38 mm] for all other dimensions.

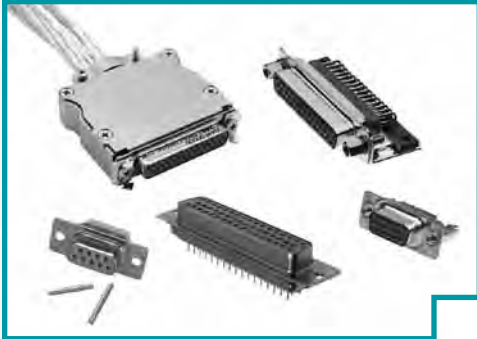
POSITRONIC[®] IS AN ITAR REGISTERED COM-

Information in this catalog is proprietary to Positronic and its subsidiaries. Positronic believes the data contained herein to be reliable. Since the technical information is given free of charge, the user employs such information at his own discretion and risk. Positronic Industries assumes no responsibility for results obtained or damages incurred from use of such information in whole or in part.

Positronic®, Positronic Industries, Inc.®, P+ logo, Positronic Global Connector Solutions®, Connector Excellence® and their logo designs are registered trademarks of Positronic Industries, Inc.

This catalog should be accompanied by copies of Positronic's High Reliability D-subminiature Connector Catalogs. Contact Technical Sales, your District Manager or visit www.connectpositronic.com for copies of these catalogs as follows:

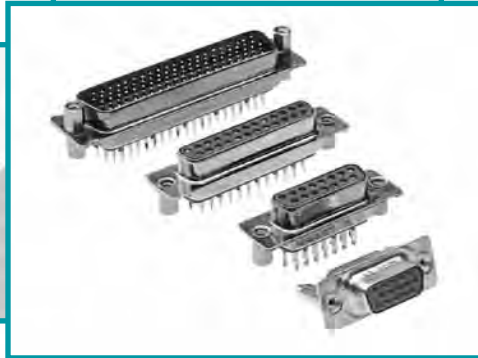
STANDARD AND HIGH DENSITY D-SUBMINIATURE CONNECTORS



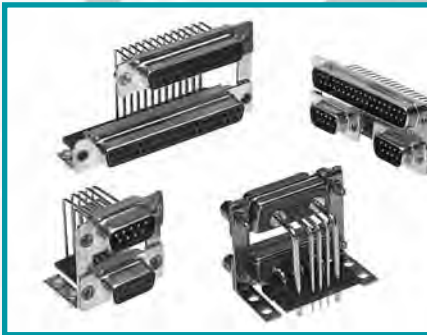
CONNECTOR SAVERS GENDER CHANGERS



PRESS-IN CONNECTORS



DUAL-PORT STACKED CONNECTORS



ENVIRONMENTAL D-SUBMINIATURE CONNECTORS



STANDARD AND HIGH DENSITY COMBO-D CONNECTORS



HIGH PERFORMANCE D-SUBMINIATURE CONNECTORS, INCLUDING SPACEFLIGHT



Contact Technical Sales for details.

TERMINATION TYPES:

Signal, Power, High Voltage, Shielded, and Thermocouple

MULTIPLE PERFORMANCE LEVELS FOR BEST COST/PERFORMANCE RATIO

DIMENSIONS ARE IN INCHES [MILLIMETERS]. ALL DIMENSIONS ARE SUBJECT TO CHANGE.



Positronic Industries
connectpositronic.com

TABLE OF CONTENTS

D-Sub
Accessories

M O U N T I N G B R A C K E T S

RIVETED ON RIGHT ANGLE (90°) MOUNTING BRACKETS.....	1
PUSH-ON FASTENER FOR RIVETED ON RIGHT ANGLE (90°) MOUNTING BRACKETS	1
RAPID INSTALLATION INTO PRINTED CIRCUIT BOARD	
RIGHT ANGLE (90°) METAL MOUNTING BRACKET	2
SUPPLIED WITH RIVETED-ON BRACKET ASSEMBLIES	
RIGHT ANGLE (90°) METAL MOUNTING BRACKET.....	2
SECURED TO CONNECTOR WITH THREADED FASTENERS	
RIGHT ANGLE (90°) PLASTIC MOUNTING BRACKET.....	3
SECURED TO CONNECTOR WITH THREADED FASTENERS	
RIGHT ANGLE (90°) PLASTIC MOUNTING BRACKET WITH THREADED INSERT.....	3
SECURED TO CONNECTOR WITH THREADED FASTENERS	
RIGHT ANGLE (90°) PLASTIC MOUNTING BRACKET WITH ALIGNMENT BAR.....	3
SUPPLIED WITH STANDARD DENSITY MIL-DTL-24308/23 AND /24 CONNECTORS	

P O S T S A N D S P A C E R S

SWAGED SPACER.....	4
SWAGED SPACERS	4
SWAGED LOCKNUT	4
SWAGED SPACER WITH PUSH-ON FASTENER.....	4
RAPID INSTALLATION INTO PRINTED CIRCUIT BOARD	
THREADED POST	5

P A N E L / B U L K H E A D M O U N T I N G O P T I O N S

MOUNTING OPTIONS	6
PANEL CUTOUTS.....	7-8

F E R R I T E I N D U C T O R

FERRITE INDUCTOR BAR FOR EMI/RFI NOISE SUPPRESSION	9
--	---

C A B L E A D A P T E R S (H O O D S / B A C K S H E L L S)

TYPICAL JACKSCREW LOCKING / CODING OPTIONS	11
TYPICAL QUICK DISCONNECT LOCKING DEVICE OPTIONS.....	12
LIGHTWEIGHT ALUMINUM CABLE ADAPTER (HOOD)	13
GENERAL INFORMATION	
LIGHTWEIGHT ALUMINUM CABLE ADAPTER (HOOD)	14
WITH FIXED FEMALE JACKSCREWS	





continued from previous page . . .

CABLE ADAPTERS (HOODS/BACKSHELLS)....continued

LIGHTWEIGHT ALUMINUM CABLE ADAPTER (HOOD) WITH ROTATING JACKSCREWS	15
LIGHTWEIGHT ALUMINUM CABLE ADAPTER (HOOD) WITH QUICK DISCONNECT LOCKING DEVICE	16
EMI/RFI METAL CABLE ADAPTER (HOOD) WITH ROTATING JACKSCREWS	17
EMI/RFI METAL CABLE ADAPTER (HOOD) WITH QUICK DISCONNECT LOCKING DEVICE	18
EMI/RFI METAL CABLE ADAPTER (HOOD) WITH M3 THREADS	19
EMI/RFI ADAPTER	19
CRIMP FERRULE SYSTEMS FOR USE WITH CODE G CABLE ADAPTERS (HOODS)	20
METAL CABLE ADAPTER (HOOD)	21
PLASTIC CABLE ADAPTER (HOOD)	21
LOW PROFILE CABLE ADAPTER (HOOD)	22
PLASTIC CABLE ADAPTER (HOOD) WITH ROTATING JACKSCREWS	23
SIZE 50 PLASTIC CABLE ADAPTER (HOOD) WITH ROTATING JACKSCREWS	24
SIZE 104 COMPOSITE CABLE ADAPTER (HOOD) WITH ROTATING JACKSCREWS	24
EMI/RFI COMPOSITE CABLE ADAPTERS (HOODS) WITH JACKSCREWS	25

LOCKING AND CODING SYSTEMS

JACKSCREW SYSTEMS	27
CODING DEVICE (KEYING) JACKSCREW SYSTEMS	27
QUICK DISCONNECT LOCKING DEVICE	28

UNIQUE FEATURES

FLARED CONNECTOR HOUSING (SHELLS)	29
LOW PROFILE MOUNTING BRACKET	30
CAPTIVE ALIGNMENT BARS	30
PROTECTIVE COVER	31
INTERFACIAL SEAL	31
BLIND MATING SYSTEM	32
SWAGEABLE PLASTIC MOUNTING BRACKET WITH ALIGNMENT BAR	33
CUL-DE-SAC STYLE MOUNTING ACCESSORIES	33
CODING DEVICE (KEYING) OPTIONS	33

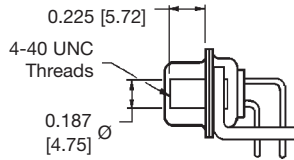


Positronic Industries
connectpositronic.com

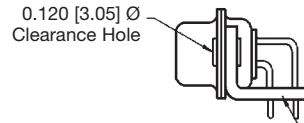
MOUNTING BRACKETS

D-Sub
Accessories

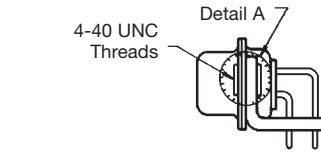
RIVETED ON RIGHT ANGLE (90°) MOUNTING BRACKETS^{*1} CODE R, R2, R3, R4, R5, R6, R7 AND R8



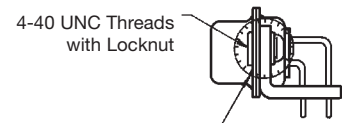
R/R2^{*2}



R3/R6^{*2}

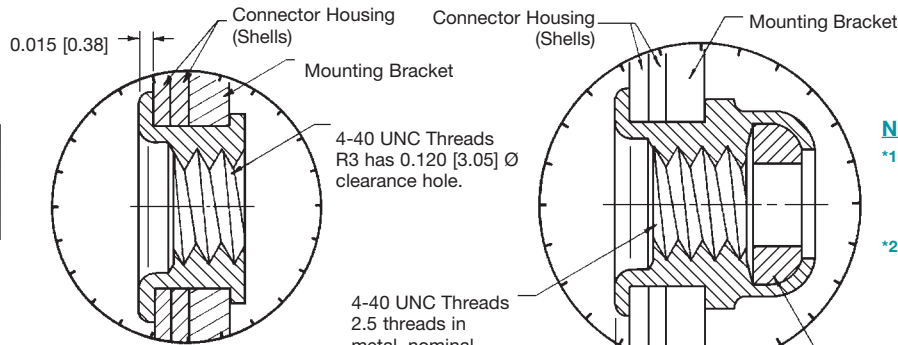


R4/R7^{*2}



R5/R8^{*2}

For *dimensional information*, see chart on page 2



DETAIL A

DETAIL B

NOTES:

- *1 Non-removable threaded hardware is built and inspected to 5 in/lbs or 80 in/oz torque.
- *2 Contact alignment bar is supplied with R2, R6, R7 and R8 options only.

Material: Copper alloy or steel with zinc plate and chromate seal or tin plate; stainless steel passivated.

PUSH-ON FASTENER FOR RIVETED ON RIGHT ANGLE (90°) MOUNTING BRACKETS RAPID INSTALLATION INTO PRINTED CIRCUIT BOARD

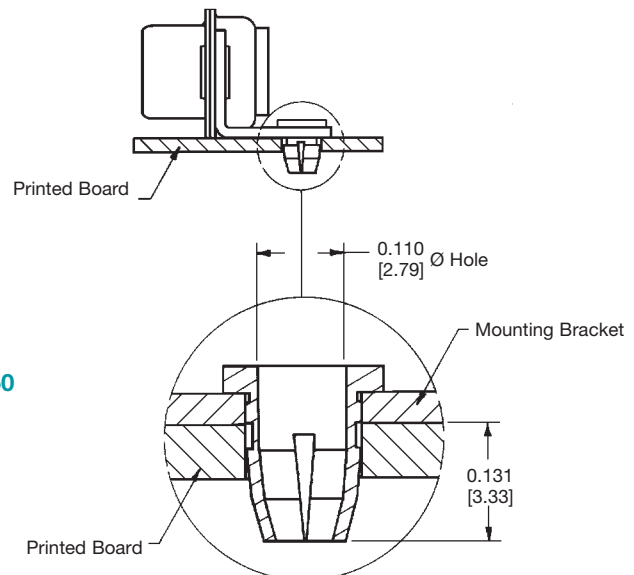
CODE N



CBD27W2F57R7N00
(shown left)

ODD15F4R7N0X
(shown center)

HDC50S5R7N00-50
(shown right)



Printed board mounting hole to be 0.123 [3.12] \pm 0.003 for use with push-on fastener.

Material: Beryllium copper, tin plate.

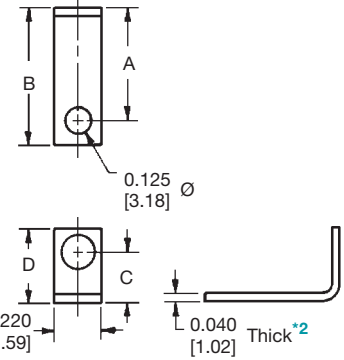
TYPICAL PERFORMANCE EVALUATION DATA

SAMPLE #	PRINTED BOARD HOLE \varnothing	INSERTION FORCE (LBS.)	RETENTION FORCE (LBS.)
1	0.120 [3.05]	7-1/4	5-3/4
2	0.123 [3.12]	5-3/4	5-1/2
3	0.125 [3.18]	2-3/4	2-1/2
4	0.128 [3.25]	1-3/4	2-1/4
5	0.126 [3.20] PLATED	1-3/4	2-1/4

1 DIMENSIONS ARE IN INCHES [MILLIMETERS]. ALL DIMENSIONS ARE SUBJECT TO CHANGE.

RIGHT ANGLE (90°) METAL MOUNTING BRACKET SUPPLIED WITH RIVETED-ON BRACKET ASSEMBLIES CODE R, R2^{*1}, R3, R4, R5, R6^{*1}, R7^{*1}, AND R8^{*1}

PART NO.	A	B	C	D	SIZE	MD	MDX	ED	CBD	CBDD	HDC	DD	PCD	ODD
4535-1-1	0.506 [12.85]	0.623 [15.82]	0.246 [6.25]	0.358 [9.09]	9-37	4	4							
4535-2-1	0.339 [8.61]	0.456 [11.58]	0.246 [6.25]	0.358 [9.09]	9-37	5	5		5, 55, 57		5		5	
4535-3-1	0.395 [10.03]	0.512 [13.00]	0.303 [7.70]	0.414 [10.52]	29	5	5		5, 55, 57		5		5	
4535-4-1	0.562 [14.27]	0.679 [17.25]	0.303 [7.70]	0.414 [10.52]	29	4	4							
4535-5-1	0.601 [15.27]	0.718 [18.24]	0.246 [6.25]	0.358 [9.09]	9-37	59					59			
4535-6-1	0.657 [16.69]	0.774 [19.66]	0.303 [7.70]	0.414 [10.52]	29	59					59			
4535-8-1	0.420 [10.67]	0.537 [13.64]	0.246 [6.25]	0.358 [9.09]	9-37			42, 44, 52	7, 75, 77		42			
4535-9-1	0.470 [11.94]	0.587 [14.91]	0.303 [7.70]	0.414 [10.52]	29			42, 44, 52	7, 75, 77		42			
4535-32-1	0.414 [10.52]	0.531 [13.49]	0.246 [6.25]	0.358 [9.09]	15-62					4				4
4535-33-1	0.414 [10.52]	0.531 [13.49]	0.303 [7.70]	0.414 [10.52]	78					4				4
4535-34-1	0.528 [13.41]	0.645 [16.38]	0.246 [6.25]	0.358 [9.09]	15-62					5		4		5
4535-35-1	0.573 [14.55]	0.690 [17.53]	0.303 [7.70]	0.414 [10.52]	78					5		4		5
4535-61-1	0.514 [13.06]	0.631 [16.03]	0.334 [8.48]	0.457 [11.61]	104									4
4535-62-1	0.614 [15.60]	0.731 [18.57]	0.334 [8.48]	0.445 [11.30]	104					5		4		5



Material: Brass with zinc plate and chromate seal, or tin plate; stainless steel, passivated.



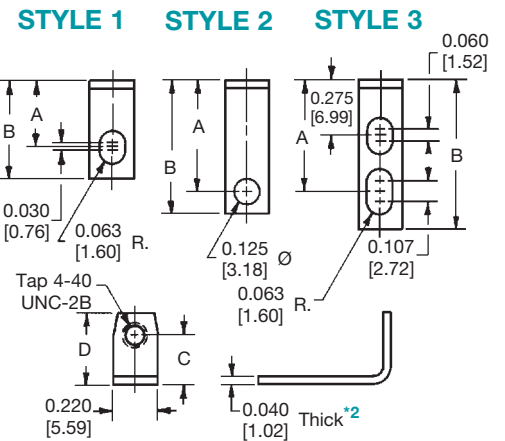
NOTE: Sold only as part of a connector assembly.
Any bracket shown can be supplied in non-standard configurations. Consult Technical Sales.

NOTES:

- *1 Alignment bar is supplied with R2, R6, R7 and R8 options only.
- *2 0.062 [1.57] thick for size 104 DD & ODD series and CBD46W4 variant.

RIGHT ANGLE (90°) METAL MOUNTING BRACKET SECURED TO CONNECTOR WITH THREADED FASTENERS CODE B AND B3

PART NO.	STYLE	A	B	C	D	SIZE	MD	MDX	ED	CBD	CBDD	HDC	DD	ODD
4535-1-0	2	0.491 [12.47]	0.608 [15.44]	0.246 [6.25]	0.358 [9.09]	9-37	4	4						
4535-2-0	1	0.324 [8.23]	0.484 [12.29]	0.244 [6.20]	0.358 [9.09]	9-37	5	5		5, 55, 57		5		
4535-3-0	1	0.380 [9.65]	0.594 [15.09]	0.303 [7.70]	0.417 [10.59]	29	5	5		5, 55, 57		5		
4535-4-0	2	0.547 [13.89]	0.664 [16.87]	0.303 [7.70]	0.414 [10.52]	29	4	4						
4535-5-0	3	0.554 [14.07]	0.739 [18.77]	0.244 [6.20]	0.358 [9.09]	9-37	59						4	5
4535-6-0	3	0.604 [15.34]	0.800 [20.32]	0.303 [7.70]	0.417 [10.59]	29, 50	59						4	5
4535-8-0	2	0.405 [10.29]	0.522 [13.26]	0.246 [6.25]	0.358 [9.09]	9-37			42, 44, 52	7, 75, 77		42		
4535-9-0	2	0.455 [11.56]	0.572 [14.53]	0.303 [7.70]	0.414 [10.52]	29			42, 44, 52					
4535-32-0	2	0.399 [10.13]	0.516 [13.11]	0.246 [6.25]	0.358 [9.09]	15-62					4			4
4535-33-0	2	0.399 [10.13]	0.516 [13.11]	0.303 [7.70]	0.414 [10.52]	78					4			4
4535-61-0	2	0.514 [13.06]	0.631 [16.03]	0.334 [8.48]	0.457 [11.61]	104								4
4535-62-0	2	0.614 [15.60]	0.731 [18.57]	0.334 [8.48]	0.445 [11.30]	104							4	5



Material: Brass with zinc plate and chromate seal, or tin plate; stainless steel, passivated.

NOTES:

- *1 Contact alignment bar is supplied with B3 option only.
- *2 0.062 [1.57] thick for size 104 DD & ODD series and CBD46W4 variant.

DIMENSIONS ARE IN INCHES [MILLIMETERS]. ALL DIMENSIONS ARE SUBJECT TO CHANGE.



Positronic Industries
connectpositronic.com

MOUNTING BRACKETS

D-Sub
Accessories

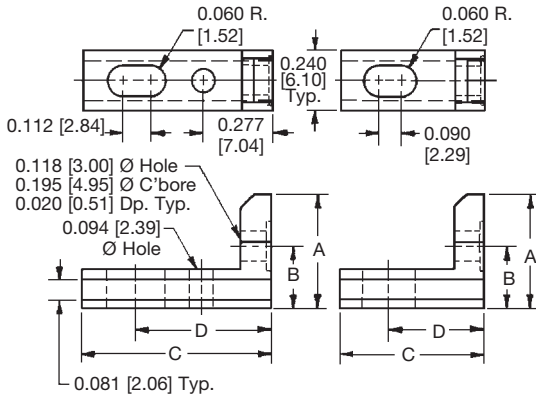
RIGHT ANGLE (90°) PLASTIC MOUNTING BRACKET SECURED TO CONNECTOR WITH THREADED FASTENERS CODE B7 AND B8*1

NOTE:

*1 Alignment bar supplied with B8 option.

STYLE 1

STYLE 2



Material: Nylon or polyester.

PART NO.	STYLE	A	B	C	D	SIZE	MD	MDX	ED	CBD	CBDD	HDC	DD	ODD
4544-6-0	1	0.450 [11.43]	0.244 [6.20]	0.740 [18.80]	0.544 [13.82]	9 - 37	4, 59	4						
						15 - 62							4	5
4544-7-0	1	0.565 [14.35]	0.303 [7.70]	0.790 [20.07]	0.606 [15.39]	29	4, 59							
						50	4, 59	4					4	5
						78								
4544-8-0	2	0.450 [11.43]	0.244 [6.20]	0.580 [14.73]	0.384 [9.75]	9 - 37	5	5	42, 52	5, 55, 57, 7, 75, 77	4	42, 5		4
						29	5		42, 52					
4544-9-0	2	0.565 [14.35]	0.303 [7.70]	0.620 [15.75]	0.440 [11.18]	50	5	5	42, 52	5, 55, 57, 7, 75, 77	4	42, 5		4

NOTE: Sold only as part of a connector assembly.
Any bracket shown can be supplied in non-standard configurations. Consult Technical Sales.

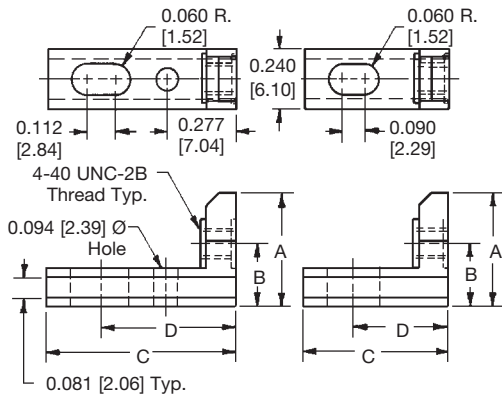
RIGHT ANGLE (90°) PLASTIC MOUNTING BRACKET WITH THREADED INSERT SECURED TO CONNECTOR WITH THREADED FASTENERS CODE B9 AND B10*1

NOTE:

*1 Alignment bar supplied with B10 option.

STYLE 1

STYLE 2



Material: Nylon or polyester.

PART NO.	STYLE	A	B	C	D	SIZE	MD	MDX	ED	CBD	CBDD	HDC	DD	ODD
4544-6-1	1	0.450 [11.43]	0.244 [6.20]	0.740 [18.80]	0.544 [13.82]	9 - 37	4, 59	4						
						15 - 62							4	5
4544-7-1	1	0.565 [14.35]	0.303 [7.70]	0.790 [20.07]	0.606 [15.39]	29	4, 59							
						50	4, 59	4					4	5
						78								
4544-8-1	2	0.450 [11.43]	0.244 [6.20]	0.580 [14.73]	0.384 [9.75]	9 - 37	5	5	42, 52	5, 55, 57, 7, 75, 77	4	42, 5		4
						29	5		42, 52					
4544-9-1	2	0.565 [14.35]	0.303 [7.70]	0.620 [15.75]	0.440 [11.18]	50	5	5	42, 52	5, 55, 57, 7, 75, 77	4	42, 52		4

NOTE: Sold only as part of a connector assembly.
Any bracket shown can be supplied in non-standard configurations. Consult Technical Sales.

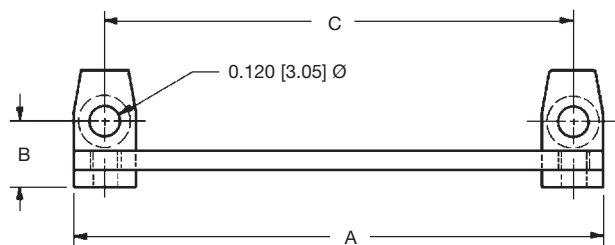
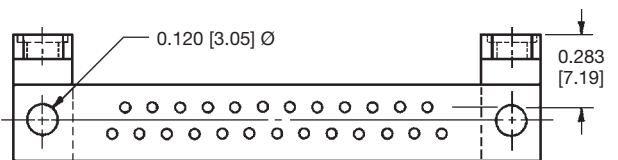
RIGHT ANGLE (90°) PLASTIC MOUNTING BRACKET WITH ALIGNMENT BAR SUPPLIED WITH STANDARD DENSITY MIL-DTL-24308/23 AND /24 CONNECTORS

PART NO.	A	B	C
4544-11-1	1.218 [30.94]	0.247 [6.27]	0.980 [24.89]
4544-11-2	1.546 [39.27]	0.247 [6.27]	1.312 [33.32]
4544-11-3	2.093 [53.16]	0.247 [6.27]	1.852 [47.04]
4544-11-4	2.734 [69.44]	0.247 [6.27]	2.500 [63.50]
4544-12-4	2.645 [67.18]	0.303 [7.70]	2.406 [61.11]

NOTE: Sold only as part of a connector assembly.

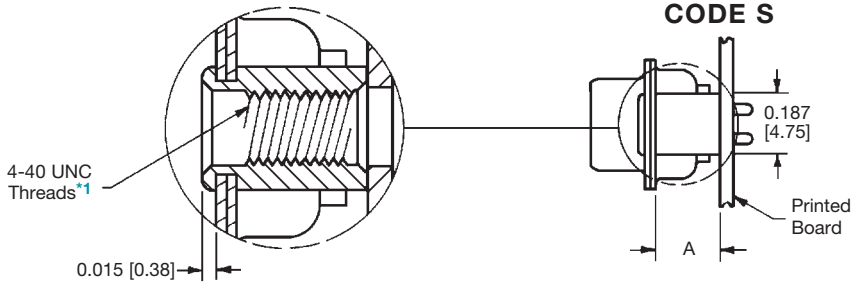
Material: Nylon or polyester.

May be supplied on special order with the MD, MDX and HDC printed board mount connectors.



3 DIMENSIONS ARE IN INCHES [MILLIMETERS].
ALL DIMENSIONS ARE SUBJECT TO CHANGE.

SWAGED SPACER CODE S



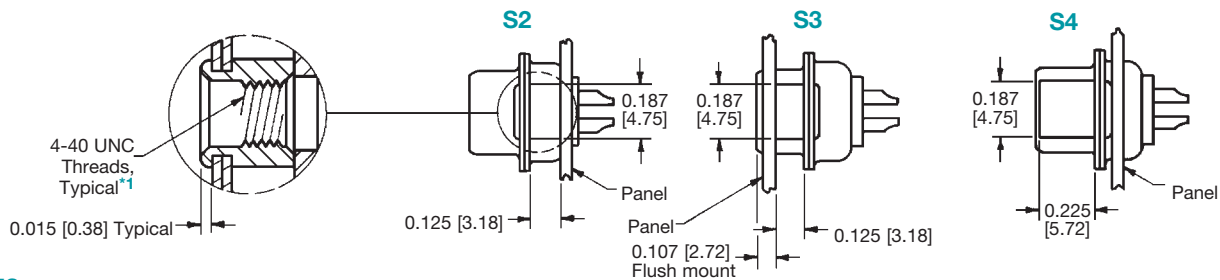
CONNECTOR SERIES	TERMINATION CODE NUMBER	A
MD, MDX, ED, HDC	all	0.225 [5.72]
ODD	0, 1	0.375 [9.53]
	2, 21, 3, 32, 4, 5	0.225 [5.72]
RD, ORD, DD, CBC, CBCD, PCD, PCDD	all	0.375 [9.53]
SD	all	0.437 [11.10]
CBD, CBDD, CBM	solder cup & solder board mount	0.250 [6.53]
	press-in	0.265 [6.73]
PCD, PCDD	98	0.375 [9.53]

NOTES:

*1 Non-removable threaded hardware is built and inspected to 5in/lbs or 80 in/oz torque.

Material: Copper alloy or steel with zinc plate and chromate seal or tin plate; stainless steel passivated.

SWAGED SPACERS CODE S2, S3, AND S4

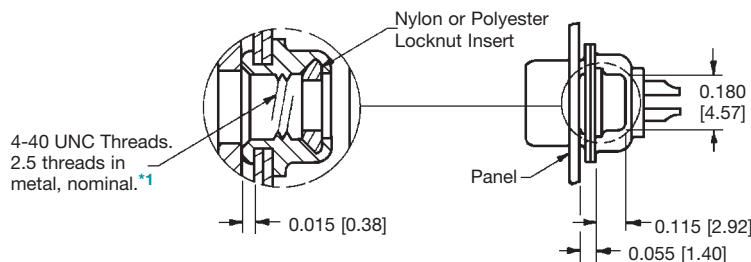


NOTES:

*1 Non-removable threaded hardware is built and inspected to 5in/lbs or 80 in/oz torque.

Material: Copper alloy or steel with zinc plate and chromate seal or tin plate; stainless steel passivated.

SWAGED LOCKNUT CODE S5

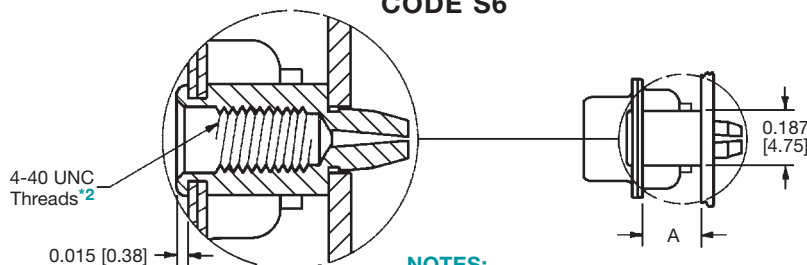


NOTES:

*1 Non-removable threaded hardware is built and inspected to 5in/lbs or 80 in/oz torque.

Material: Copper alloy or steel with zinc plate and chromate seal or tin plate; stainless steel, passivated. Nylon or polyester locknut insert.

SWAGED SPACER WITH PUSH-ON FASTENER RAPID INSTALLATION INTO PRINTED CIRCUIT BOARD CODE S6*1



NOTES:

*1 Printed board mounting hole to be 0.123 [3.12] $\varnothing \pm 0.003$ for use with push-on fastener.

*2 Non-removable threaded hardware is built and inspected to 5in/lbs or 80 in/oz torque.

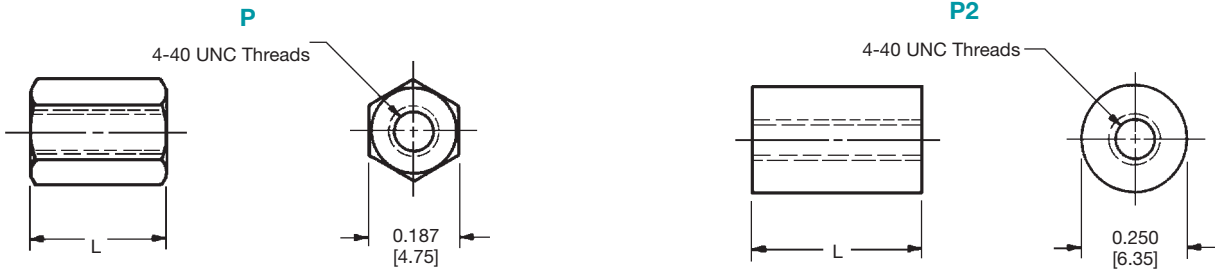
CONNECTOR SERIES	TERMINATION CODE NUMBER	A
MD, MDX, ED, HDC	all	0.225 [5.72]
ODD	0, 1	0.375 [9.53]
	2, 21, 3, 32	0.225 [5.72]
RD, ORD, DD, CBC, CBCD, PCD, PCDD	all	0.375 [9.53]
SD	all	0.437 [11.10]
CBD, CBDD, CBM	all	0.250 [6.35]

**DIMENSIONS ARE IN INCHES [MILLIMETERS].
ALL DIMENSIONS ARE SUBJECT TO CHANGE.**

Material: Phosphor bronze, tin plate.



THREADED POST CODE P AND P2



CONNECTOR SERIES	TERMINATION CODE NUMBER	A
MD, MDX, ED, HDC	all	0.225 [5.72]
ODD	0, 1	0.375 [9.53]
	2, 21, 3, 32	0.225 [5.72]
RD, ORD, DD, CBC, CBCD, PCD, PCDD	all	0.375 [9.53]
SD	all	0.437 [11.10]
CBD, CBDD, CBM	all	0.250 [6.35]

Material: P - Brass with zinc plate and chromate seal or tin plate; stainless steel, passivated.
P2 - Nylon.



Contact Technical Sales for details.

Positronic's D-subminiature Accessories are available in RoHS compliant materials. These materials will be supplied when the connector part number designates the RoHS modifier "/AA".

Connectors Designed To Customer Specifications

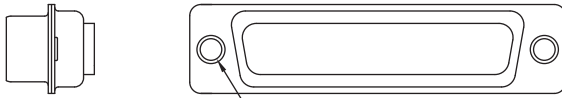
Positronic D-subminiature connectors can be modified to customers specifications.

Examples: select loading of contacts for cost savings or to gain creepage and clearance distances; longer printed circuit board terminations; customer specified hardware; sealing for water resistance.

Contact Technical Sales with your particular requirements.

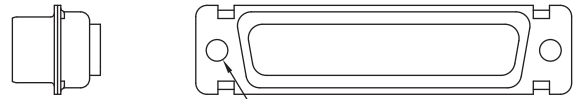
MOUNTING OPTIONS CODE 0, 02, F

THRU HOLE MOUNTING (0)



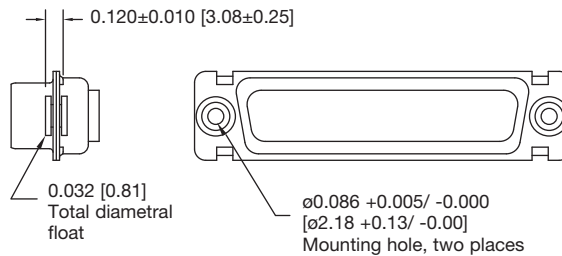
$\phi 0.120 \pm 0.005$ [$\phi 3.05 \pm 0.13$]
Mounting hole, two places
for non-stainless steel
connector housing (shells)

THRU HOLE MOUNTING (0, 02)



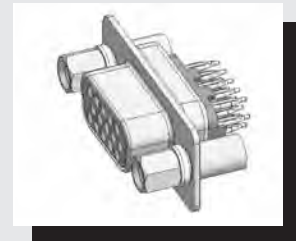
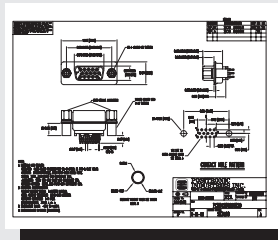
$\phi 0.120 \pm 0.005$ [$\phi 3.05 \pm 0.13$] Mounting
hole, two places for stainless steel
connector housing (shells) (0 option)
 $\phi 0.154$ [$\phi 3.91$] Mounting hole, two
places (02 option)

FLOAT MOUNTS (F)



Do you need 2-D drawings or 3-D models?

Once you have made a connector selection, contact Technical Sales if you would like a 2-D drawing or 3-D model. If we do not have your specific part number on file, we can create one for you. Or, please visit www.connectpositronic.com and use the search function.



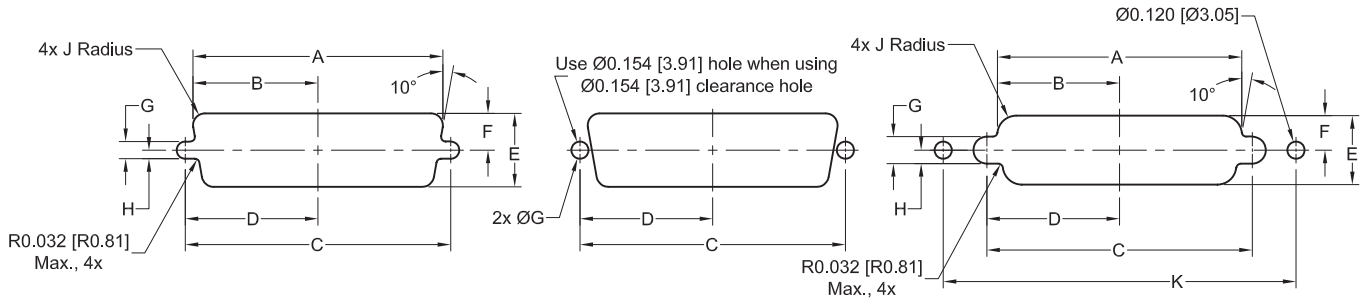


PANEL CUTOUTS

STANDARD CUTOUT

OPTIONAL CUTOUT

BLIND MATE FLOAT PLATE



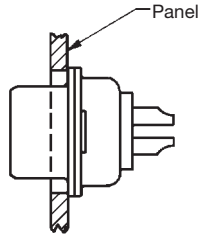
SHELL SIZE	PANEL CUTOUT OPTIONS	MOUNTING	A	B	C	D	E	F	G	H	J	K
			±0.005 [±0.13]	±0.005 [±0.13]	±0.005 [±0.13]	±0.005 [±0.13]	±0.005 [±0.13]	±0.005 [±0.13]	±0.005 [±0.13]	±0.002 [±0.05]	±0.002 [±0.05]	±0.002 [±0.05]
SHELL SIZE 1	CLEARANCE HOLE	FRONT	0.874 [22.20]	0.437 [11.10]	0.984 [24.99]	0.492 [12.50]	0.513 [13.03]	0.257 [6.53]	0.120 [3.05]	0.060 [1.52]	0.083 [2.11]	
		REAR	0.806 [20.47]	0.403 [10.24]	0.984 [24.99]	0.492 [12.50]	0.449 [11.40]	0.225 [5.72]	0.120 [3.05]	0.060 [1.52]	0.132 [3.35]	
	FLOAT MOUNT	FRONT	0.906 [23.01]	0.453 [11.51]	0.984 [24.99]	0.492 [12.50]	0.545 [13.84]	0.273 [6.93]	0.088 [2.24]	0.044 [1.12]	0.083 [2.11]	
		REAR	0.838 [21.29]	0.419 [10.64]	0.984 [24.99]	0.492 [12.50]	0.481 [12.22]	0.241 [6.12]	0.088 [2.24]	0.044 [1.12]	0.132 [3.35]	
	BLIND MATE FLOAT PLATE	FRONT	0.838 [21.29]	0.419 [10.64]	0.984 [24.99]	0.492 [12.50]	0.481 [12.22]	0.241 [6.12]	0.188 [4.78]	0.094 [2.39]	0.132 [3.35]	1.586 [40.28]
		REAR	0.838 [21.29]	0.419 [10.64]	0.984 [24.99]	0.492 [12.50]	0.481 [12.22]	0.241 [6.12]	0.188 [4.78]	0.094 [2.39]	0.132 [3.35]	1.586 [40.28]
SHELL SIZE 2	CLEARANCE HOLE	FRONT	1.202 [30.53]	0.601 [15.27]	1.312 [33.32]	0.656 [16.66]	0.513 [13.03]	0.257 [6.53]	0.120 [3.05]	0.060 [1.52]	0.083 [2.11]	
		REAR	1.134 [28.80]	0.567 [14.40]	1.312 [33.32]	0.656 [16.66]	0.449 [11.40]	0.225 [5.72]	0.120 [3.05]	0.060 [1.52]	0.132 [3.35]	
	FLOAT MOUNT	FRONT	1.234 [31.34]	0.617 [15.67]	1.312 [33.32]	0.656 [16.66]	0.545 [13.84]	0.273 [6.93]	0.088 [2.24]	0.044 [1.12]	0.083 [2.11]	
		REAR	1.166 [29.62]	0.583 [14.81]	1.312 [33.32]	0.656 [16.66]	0.481 [12.22]	0.241 [6.12]	0.088 [2.24]	0.044 [1.12]	0.132 [3.35]	
	BLIND MATE FLOAT PLATE	FRONT	1.166 [29.62]	0.583 [14.81]	1.312 [33.32]	0.656 [16.66]	0.481 [12.22]	0.241 [6.12]	0.188 [4.78]	0.094 [2.39]	0.132 [3.35]	1.914 [48.62]
		REAR	1.166 [29.62]	0.583 [14.81]	1.312 [33.32]	0.656 [16.66]	0.481 [12.22]	0.241 [6.12]	0.188 [4.78]	0.094 [2.39]	0.132 [3.35]	1.914 [48.62]
SHELL SIZE 3	CLEARANCE HOLE	FRONT	1.743 [44.27]	0.872 [22.15]	1.852 [47.04]	0.926 [23.52]	0.513 [13.03]	0.257 [6.53]	0.120 [3.05]	0.060 [1.52]	0.083 [2.11]	
		REAR	1.674 [42.52]	0.837 [21.26]	1.852 [47.04]	0.926 [23.52]	0.449 [11.40]	0.225 [5.72]	0.120 [3.05]	0.060 [1.52]	0.132 [3.35]	
	FLOAT MOUNT	FRONT	1.775 [45.09]	0.888 [22.56]	1.852 [47.04]	0.926 [23.52]	0.545 [13.84]	0.273 [6.93]	0.088 [2.24]	0.044 [1.12]	0.083 [2.11]	
		REAR	1.706 [43.33]	0.853 [21.67]	1.852 [47.04]	0.926 [23.52]	0.481 [12.22]	0.241 [6.12]	0.088 [2.24]	0.044 [1.12]	0.132 [3.35]	
	BLIND MATE FLOAT PLATE	FRONT	1.706 [43.33]	0.853 [21.67]	1.852 [47.04]	0.926 [23.52]	0.481 [12.22]	0.241 [6.12]	0.188 [4.78]	0.094 [2.39]	0.132 [3.35]	2.461 [62.51]
		REAR	1.706 [43.33]	0.853 [21.67]	1.852 [47.04]	0.926 [23.52]	0.481 [12.22]	0.241 [6.12]	0.188 [4.78]	0.094 [2.39]	0.132 [3.35]	2.461 [62.51]

Chart continued on next page

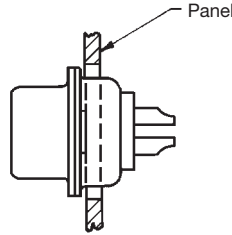


PANEL CUTOUTS

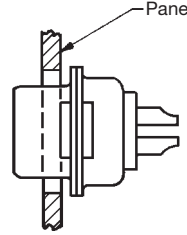
**CLEARANCE HOLE
REAR MOUNT**



**CLEARANCE HOLE
FRONT MOUNT**



**FLOAT MOUNT
REAR MOUNT**



**FLOAT MOUNT
FRONT MOUNT**

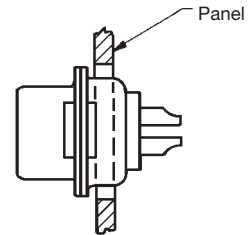


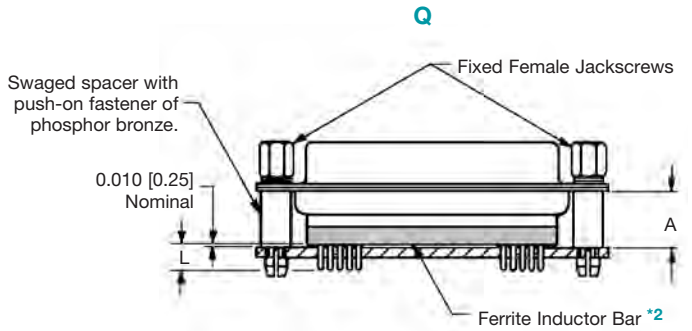
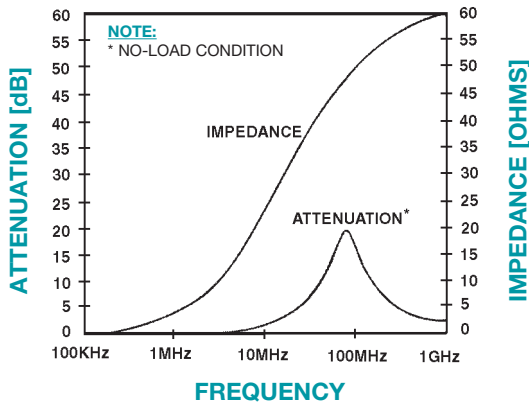
Chart continued from previous page

SHELL SIZE	PANEL CUTOUT OPTIONS	MOUNTING	A	B	C	D	E	F	G	H	J	K
			±0.005 [±0.13]	±0.005 [±0.13]	±0.005 [±0.13]	±0.005 [±0.13]	±0.005 [±0.13]	±0.005 [±0.13]	±0.005 [±0.13]	±0.002 [±0.05]	±0.002 [±0.05]	±0.002 [±0.05]
SPECIAL SIZE 29	CLEARANCE HOLE	FRONT	1.425 [36.20]	0.713 [18.11]	1.534 [38.96]	0.767 [19.48]	0.623 [15.82]	0.312 [7.92]	0.120 [3.05]	0.060 [1.52]	0.083 [2.11]	
		REAR	1.356 [34.44]	0.678 [17.22]	1.534 [38.96]	0.767 [19.48]	0.555 [14.10]	0.278 [7.06]	0.120 [3.05]	0.060 [1.52]	0.132 [3.35]	
	FLOAT MOUNT	FRONT	1.457 [37.01]	0.729 [18.52]	1.534 [38.96]	0.767 [19.48]	0.655 [16.64]	0.328 [8.33]	0.088 [2.24]	0.044 [1.12]	0.083 [2.11]	
		REAR	1.388 [35.26]	0.694 [17.63]	1.534 [38.96]	0.767 [19.48]	0.587 [14.91]	0.294 [7.47]	0.088 [2.24]	0.044 [1.12]	0.132 [3.35]	
SHELL SIZE 4	CLEARANCE HOLE	FRONT	2.391 [60.73]	1.196 [30.38]	2.500 [63.50]	1.250 [31.75]	0.513 [13.03]	0.257 [6.53]	0.120 [3.05]	0.060 [1.52]	0.083 [2.11]	
		REAR	2.326 [59.08]	1.163 [29.54]	2.500 [63.50]	1.250 [31.75]	0.449 [11.40]	0.225 [5.72]	0.120 [3.05]	0.060 [1.52]	0.132 [3.35]	
	FLOAT MOUNT	FRONT	2.423 [61.54]	1.212 [30.78]	2.500 [63.50]	1.250 [31.75]	0.545 [13.84]	0.273 [6.93]	0.088 [2.24]	0.044 [1.12]	0.083 [2.11]	
		REAR	2.354 [59.79]	1.177 [29.90]	2.500 [63.50]	1.250 [31.75]	0.481 [12.22]	0.241 [6.12]	0.088 [2.24]	0.044 [1.12]	0.132 [3.35]	
	BLIND MATE FLOAT PLATE	FRONT	2.354 [59.79]	1.177 [29.90]	2.500 [63.50]	1.250 [31.75]	0.481 [12.22]	0.241 [6.12]	0.188 [4.78]	0.094 [2.39]	0.132 [3.35]	3.102 [78.79]
SHELL SIZE 5	CLEARANCE HOLE	FRONT	2.297 [58.34]	1.149 [29.18]	2.406 [61.11]	1.203 [30.56]	0.623 [15.82]	0.312 [7.92]	0.120 [3.05]	0.060 [1.52]	0.083 [2.11]	
		REAR	2.218 [56.34]	1.109 [28.17]	2.406 [61.11]	1.203 [30.56]	0.555 [14.10]	0.278 [7.06]	0.120 [3.05]	0.060 [1.52]	0.132 [3.35]	
	FLOAT MOUNT	FRONT	2.329 [59.16]	1.165 [29.59]	2.406 [61.11]	1.203 [30.56]	0.655 [16.64]	0.328 [8.33]	0.088 [2.24]	0.044 [1.12]	0.083 [2.11]	
		REAR	2.250 [57.15]	1.125 [28.58]	2.406 [61.11]	1.203 [30.56]	0.587 [14.91]	0.294 [7.47]	0.088 [2.24]	0.044 [1.12]	0.132 [3.35]	
	BLIND MATE FLOAT PLATE	FRONT	2.260 [57.40]	1.125 [28.58]	2.406 [61.11]	1.203 [30.56]	0.602 [15.29]	0.301 [7.65]	0.188 [4.78]	0.094 [2.39]	0.132 [3.35]	3.008 [76.40]
SHELL SIZE 6	CLEARANCE HOLE	FRONT	2.421 [61.49]	1.211 [30.76]	2.500 [63.50]	1.250 [31.75]	0.685 [17.40]	0.343 [8.71]	0.120 [3.05]	0.060 [1.52]	0.083 [2.11]	
		REAR	2.343 [59.51]	1.172 [29.77]	2.500 [63.50]	1.250 [31.75]	0.617 [15.67]	0.309 [7.85]	0.120 [3.05]	0.060 [1.52]	0.132 [3.35]	
	FLOAT MOUNT	FRONT	2.453 [62.31]	1.227 [31.17]	2.500 [63.50]	1.250 [31.75]	0.717 [18.21]	0.359 [9.12]	0.088 [2.24]	0.044 [1.12]	0.083 [2.11]	
		REAR	2.375 [60.33]	1.188 [30.18]	2.500 [63.50]	1.250 [31.75]	0.649 [16.48]	0.325 [8.26]	0.088 [2.24]	0.044 [1.12]	0.132 [3.35]	



FERRITE INDUCTOR BAR*1 FOR EMI/RFI NOISE SUPPRESSION CODE F AND Q*2

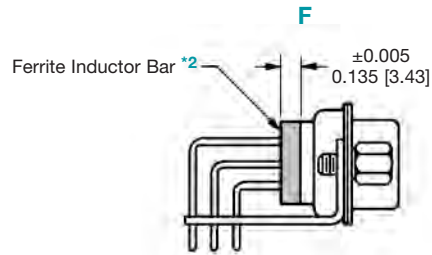
FILTERING CHARACTERISTICS



STRAIGHT PRINTED BOARD MOUNT CONNECTOR



MD9M5R7FT6X



RIGHT ANGLE (90°)
PRINTED BOARD MOUNT CONNECTOR

FERRITE INDUCTOR AVAILABILITY

SERIES	CODE NUMBER	A	L
MD, MDX, HDC	32	0.375 [9.53]	0.240 [6.10]
ODD, CBDD		0.375 [9.53]	0.165 [4.19]
DD		0.515 [13.08]	0.165 [4.19]
ED, HDC	36	0.375 [9.53]	0.101 [2.57]
MD, MDX	4	-----	-----
ODD	5	-----	-----
MD	59	-----	-----
MD, HDC	6	0.375 [9.53]	0.360 [9.14]

Material: Nickel zinc ceramic.

NOTES:

- *1 This bar option is available for connector housings (shells) 9, 15, 25, and 37. Ferrite beads are used for the other sizes. Contact Technical Sales for ferrite inductor ordering information on those connectors.
- *2 Specify Code F or Q in Step 6 of ordering information. F is for ferrite inductor and Q is for ferrite inductor with push-on fastener.



TECHNICAL CHARACTERISTICS, QUICK REFERENCE

CABLE ADAPTER	MATERIAL	FINISH	CABLE CLAMP (material, finish)	HARDWARE (material, finish)	UNIQUE ATTRIBUTES	PAGE
AN ^{*1}	aluminum	nickel	aluminum, nickel	steel with nickel plate	light weight, EMI	13
AC ^{*1}	aluminum	no finish	aluminum, no finish	steel with nickel plate	light weight, EMI	13
G	zinc, die cast		zinc, die cast		EMI/RFI metal	17
H	steel, zinc plate	chromate seal	steel, zinc plate with chromate seal		similar to SAE AS85049/48	21
J	glass-filled nylon, 94V-0		steel, nickel plate		top opening, for vibration applications	21
L	glass-filled nylon, 94V-0		steel, nickel plate		side opening, for vibration applications	21
QH	glass-filled polyester		steel, nickel plate	steel with zinc plate and chromate seal or tin plate; stainless steel, passivated	low profile	22
W	polypropylene 94V-0			See "CODE W" on page 23 for complete listing of hardware options.	low profile, low cost	23
Y	composite, conductive volume resistivity				low profile, sizes 50 & 104 only	24
Z	composite, conductive volume resistivity or glass-filled nylon				EMI/RFI composite	25

NOTES:

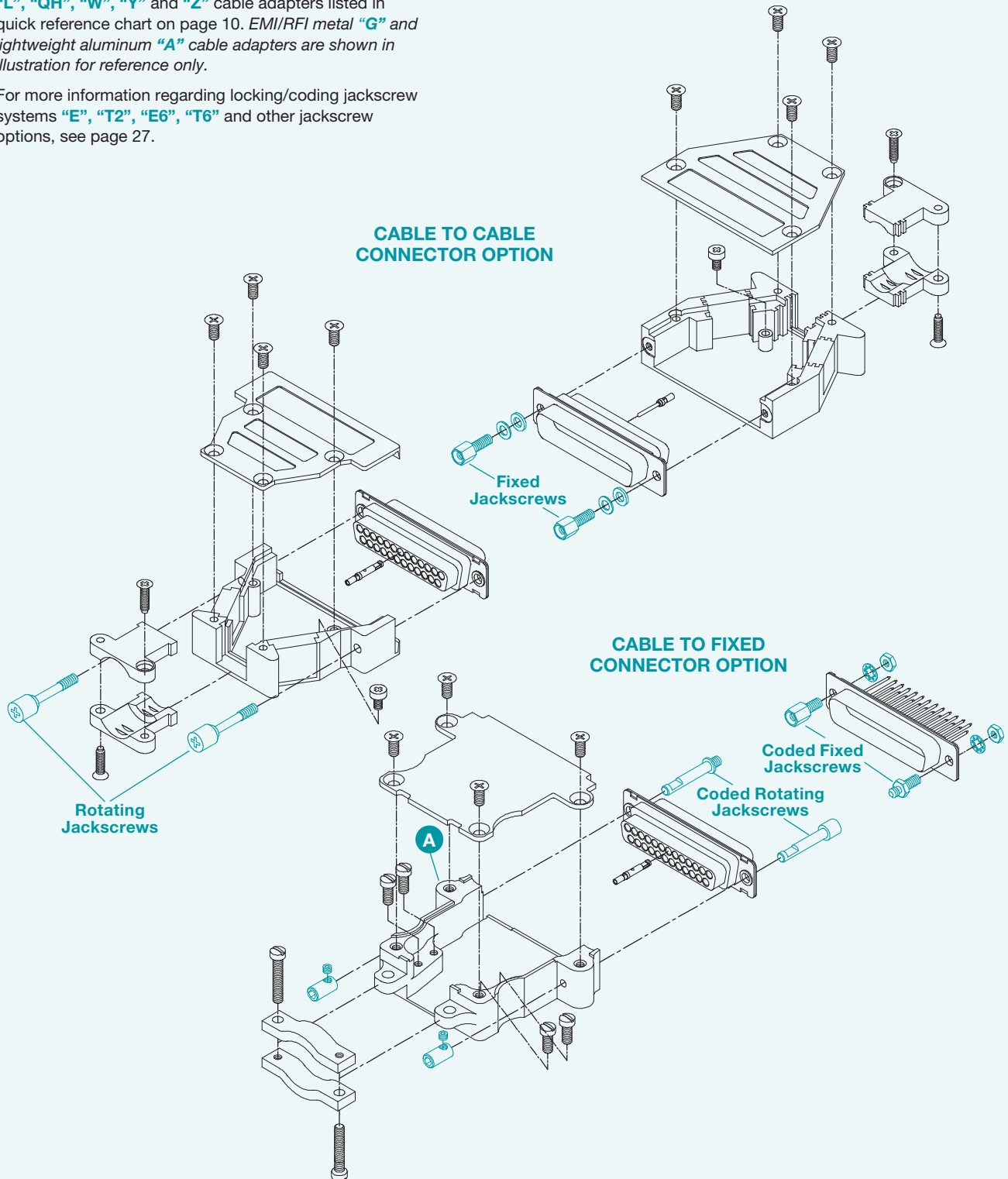
*1 See "MATERIAL & FINISH OPTION" chart on page 14 for additional options.



TYPICAL JACKSCREW LOCKING OPTIONS

Jackscrew options are available with "A", "G", "H", "J", "L", "QH", "W", "Y" and "Z" cable adapters listed in quick reference chart on page 10. EMI/RFI metal "G" and lightweight aluminum "A" cable adapters are shown in illustration for reference only.

For more information regarding locking/coding jackscrew systems "E", "T2", "E6", "T6" and other jackscrew options, see page 27.



CABLE ADAPTERS



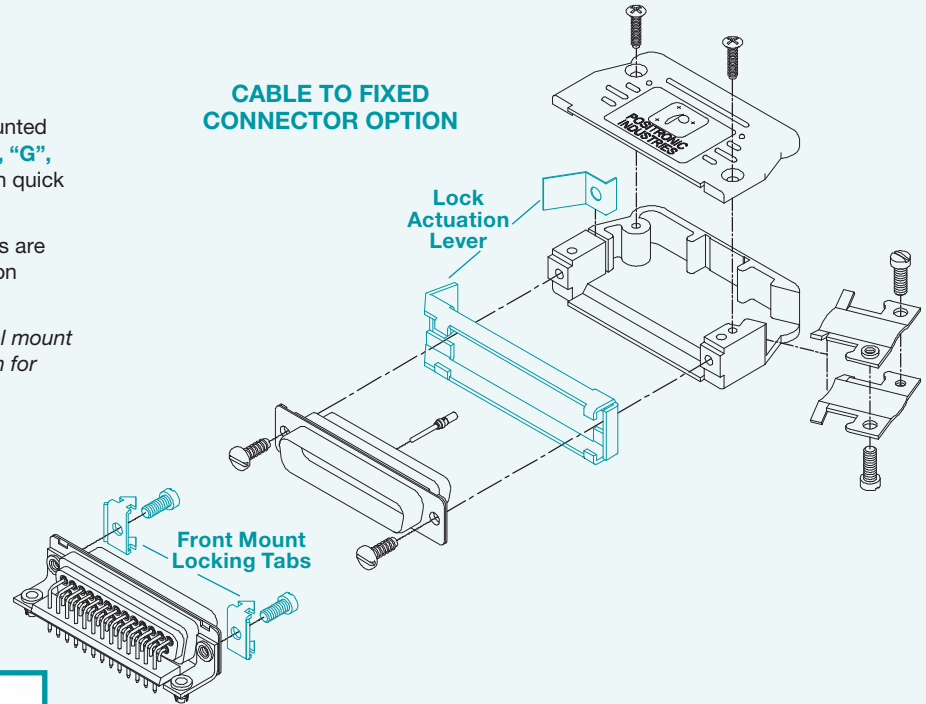
TYPICAL QUICK DISCONNECT LOCKING DEVICE OPTIONS

Lock actuation lever "VL" and front mounted locking tabs "V3" are available with "A", "G", "H", "J" and "L" cable adapters listed in quick reference chart on page 10.

Back mounted locking tabs "V5" options are also available. For detailed information on locking/coding systems see page 28.

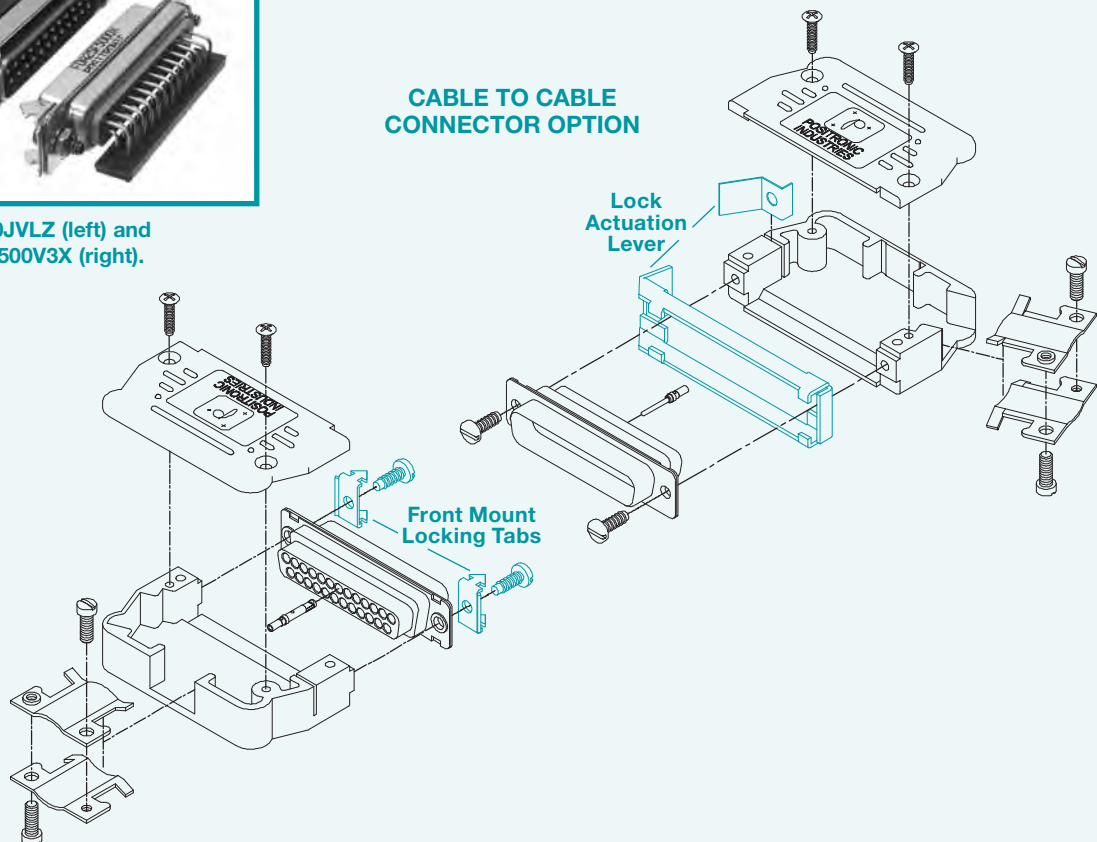
Plastic cable adapter "L" and front panel mount "V3" locking tab are shown in illustration for reference only.

CABLE TO FIXED CONNECTOR OPTION



RD25M10JVLZ (left) and
HDC25S500V3X (right).

CABLE TO CABLE CONNECTOR OPTION



CABLE ADAPTERS



LIGHTWEIGHT ALUMINUM CABLE ADAPTER (HOOD) EMI WITH MULTIPLE GROUNDING POINTS CODE A

GENERAL INFORMATION

This product has been designed for use in applications as a lightweight, EMI cable adapter for D-subminiature connectors. The features of the product are outlined below. Please contact Technical Sales for pricing and additional options.

GROUND SCREWS

- ◆ Sized and spaced for use with 0.250 inch [6.35mm] diameter ring terminals
- ◆ Ground shelf height and ground screw length allow for stacking of ring terminals
- ◆ Holes are pre-tapped for ease of installation
- ◆ Ground screws are located outside the exiting wire path to facilitate wire routing
- ◆ Ground holes are tapped through to the outside which provide for optional external grounding

SPACIOUS INTERIOR

- ◆ Shape maximizes internal area which facilitates harness assembly
- ◆ No obstructions behind any portion of the connector body allows cable adapter to be used with Combo-D connectors

APERTURE / STRAIN RELIEF

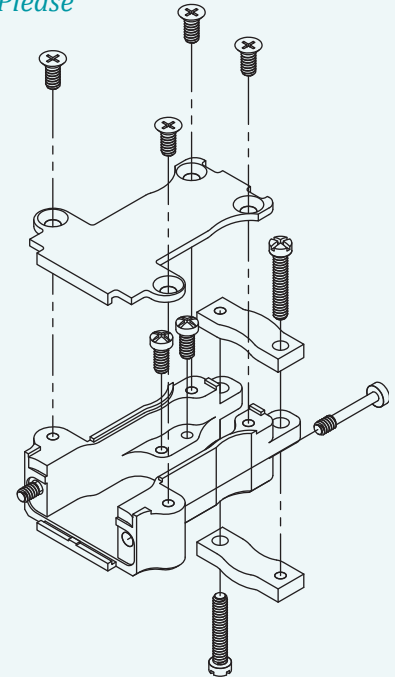
- ◆ Appropriate for high density wire bundles using twisted, shielded pairs
- ◆ Cable clamps can be “spooned” to provide strain relief for small wire bundle
- ◆ Wide form factor allows the user to easily meet bend radius requirements

THUMB GRIP

- ◆ Grip facilitates installation and removal in tight spaces

LOCKING SYSTEM

- ◆ Available with jackscrews or actuation lock system



TECHNICAL CHARACTERISTICS

MATERIAL AND FINISHES:

Cable Adapter & Cable Clamps: Aluminum, aluminum with electroless nickel plate; aluminum with yellow anodize; aluminum with yellow chromate conversion. Zinc content is 1% maximum.

Jackscrews & Screws: Steel with nickel plate; brass with zinc plate and chromate seal. Stainless steel options available, contact Technical Sales

Actuation Lock System: Steel with nickel plate.

MECHANICAL CHARACTERISTICS:

Ground Screws: Can accept up to 0.250 inch [6.35mm] diameter ring terminal.

Locking System: Jackscrews and quick disconnect lock system.

ELECTRICAL CHARACTERISTICS:

Range of Operation, Calculated Method: 2 GHz minimum.

CLIMATIC CHARACTERISTICS:

Temperature Range: -55°C to +125°C

WEIGHT CHART:

Contact Technical Sales for weights on T2, E6, E7 and V3 hardware options.

CABLE ADAPTER (HOOD) SIZE	D*1000ANVL ounces [grams]	D*1000ANE ounces [grams]
9	1.43 [40.50]	1.08 [30.54]
15	1.60 [45.24]	1.32 [37.44]
25	1.95 [55.22]	1.62 [45.92]
29	Contact Technical Sales	
37	2.53 [71.60]	2.19 [62.06]
50	2.61 [74.00]	2.26 [63.94]
104	n/a	2.41 [68.44]

All hardware in a cable adapter assembly including cable clamps, screws, etc.

NOTE:

*1 Designates size of cable adapter in part number.

continued on page 14

Visit our website for the latest catalog updates and supplements at
<http://www.connectpositronic.com/products/58/D-subminiatureAccessories/catalogs/>



TECHNICAL CHARACTERISTICS, continued

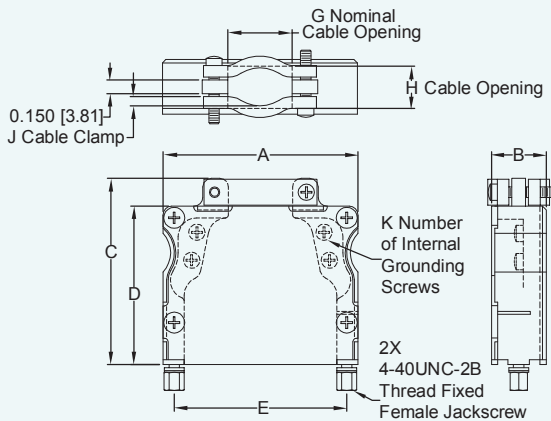
continued from page 13

MATERIAL & FINISH OPTIONS								
CODE NUMBER	CABLE ADAPTER (HOOD) & CABLE CLAMP FINISH	HARDWARE TYPE					HARDWARE MATERIAL & FINISH	
		T2	E	E6	E7	VL		V3
N	nickel	✓	✓	✓	✓	✓	✓	steel with nickel plate
C	no finish	✓	✓	✓	✓	✓	✓	steel with nickel plate
OPTIONAL MATERIAL & FINISHES								
A	anodize	✓	✓	✓	✓	✓	✓	steel with nickel plate
B	anodize	✓	✓	✓	✓			brass with zinc plate and chromate seal
D	no finish	✓	✓	✓	✓			brass with zinc plate and chromate seal
I	yellow chromate conversion	✓	✓	✓	✓	✓	✓	steel with nickel plate
J	yellow chromate conversion	✓	✓	✓	✓			brass with zinc plate and chromate seal



LIGHTWEIGHT ALUMINUM CABLE ADAPTER (HOOD) WITH FIXED FEMALE JACKSCREWS

CODE A*1T2



Also available with
Polarized Fixed Jackscrews. Contact
Technical Sales
for details.



TYPICAL PART NUMBER:
D25000ANT20

D15000ANT20 - Lightweight aluminum cable adapter with fixed female jackscrews, pictured with connector installed.

SHELL SIZE	CONNECTOR / CONTACT ARRANGEMENT COMPATIBILITY		PART NUMBER	A	B	C	D	E	G	H		J	K
	Std-D:	Combo-D:								Min.*2	Max.		
1	Std-D: 9 High-D: 15	Combo-D: 5W1, 2WK2 Combo-D High-D: 8W2	D9000A*1T20	1.219 [30.96]	0.586 [14.88]	2.000 [50.08]	1.700 [43.18]	0.984 [24.99]	0.362 [9.19]	0.240 [6.10]	0.453 [11.51]	0.050 [1.27]	4
2	Std-D: 15 High-D: 26	Combo-D: 3W3, 3WK3, 7W2, 11W1 Combo-D High-D: 19W1	D15000A*1T20	1.547 [39.29]	0.586 [14.88]	2.000 [50.08]	1.700 [43.18]	1.312 [33.32]	0.690 [17.53]	0.350 [8.89]	0.453 [11.51]	0.100 [2.54]	4
3	Std-D: 25 High-D: 44	Combo-D: 5W5, 9W4, 13W3, 17W2, 21W1 Combo-D High-D: 15W4	D25000A*1T20	2.094 [53.19]	0.586 [14.88]	2.000 [50.08]	1.700 [43.18]	1.852 [47.04]	0.690 [17.53]	0.350 [8.89]	0.453 [11.51]	0.100 [2.54]	4
--	Std-D: 29 High-D: n/a	Combo-D: n/a Combo-D High-D: n/a	D29000A*1T20	1.776 [45.11]	0.689 [17.73]	2.000 [50.08]	1.700 [43.18]	1.534 [38.96]	0.690 [17.53]	0.350 [8.89]	0.564 [14.33]	0.100 [2.54]	4
4	Std-D: 37 High-D: 62	Combo-D: 8W8, 13W6, 17W5, 21WA4, 25W3, 27W2 Combo-D High-D: 45W2	D37000A*1T20	2.736 [69.49]	0.586 [14.88]	2.250 [57.15]	1.950 [49.53]	2.500 [63.50]	1.242 [31.55]	0.410 [10.41]	0.453 [11.51]	0.130 [3.30]	6
5	Std-D: 50 High-D: 78	Combo-D: 24W7, 36W4, 43W2, 47W1 Combo-D High-D: n/a	D50000A*1T20	2.642 [67.11]	0.689 [17.73]	2.250 [57.15]	1.950 [49.53]	2.406 [61.11]	1.242 [31.55]	0.410 [10.41]	0.564 [14.33]	0.130 [3.30]	6
6	Std-D: n/a High-D: 104	Combo-D: 46W4 Combo-D High-D: n/a	D104000A*1T20	2.736 [69.49]	0.760 [19.30]	2.250 [57.15]	1.950 [49.53]	2.500 [63.50]	1.242 [31.55]	0.410 [10.41]	0.627 [15.93]	0.130 [3.30]	6

NOTES:

- *1 For completed part number, insert desired code number from "MATERIAL & FINISH OPTION" chart above.
- *2 Smaller cable openings may be achieved by inverting one or both cable clamps.

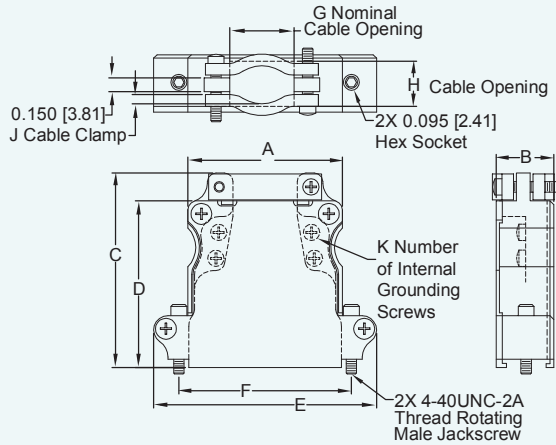
DIMENSIONS ARE IN INCHES [MILLIMETERS]. ALL DIMENSIONS ARE SUBJECT TO CHANGE.



LIGHTWEIGHT ALUMINUM CABLE ADAPTER (HOOD) WITH ROTATING JACKSCREWS CODE A*1E, A*1E6, AND A*1E7

CODE E

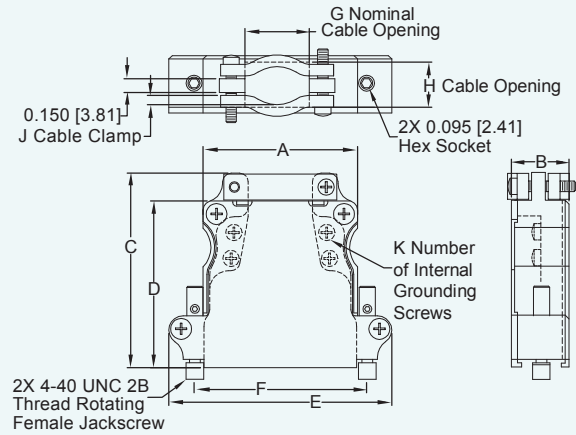
ROTATING MALE JACKSCREWS



TYPICAL PART NUMBER: D25000ACE0

CODE E7

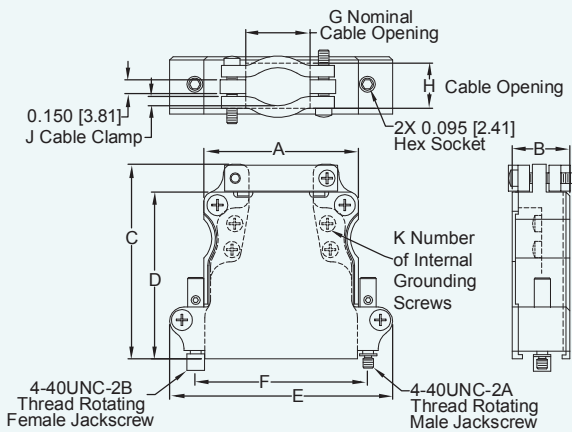
ROTATING FEMALE JACKSCREWS



TYPICAL PART NUMBER: D25000ANE70

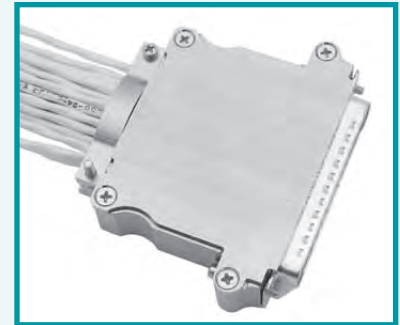
CODE E6

POLARIZED ROTATING JACKSCREWS



TYPICAL PART NUMBER: D25000ACE60

D37000ANE0- Lightweight aluminum cable adapter with rotating male jackscrews, pictured with connector installed.



For Technical Characteristics, see page 13

NOTES:

- *1 For completed part number, insert desired code number from "MATERIAL & FINISH OPTION" chart on page 14.
- *2 For completed part number, insert the desired code (E, E6 or E7) for required jackscrew option.
- *3 Smaller cable openings may be achieved by inverting one or both cable clamps.

SHELL SIZE	CONNECTOR / CONTACT ARRANGEMENT COMPATIBILITY		PART NUMBER	A	B	C	D	E	F	G	H		J	K
											Min.*3	Max.		
1	Std-D: 9 High-D: 15	Combo-D: 5W1, 2WK2 Combo-D High-D: 8W2	D9000A*1*20	0.908 [23.06]	0.616 [15.65]	2.090 [53.09]	1.790 [45.47]	1.524 [38.71]	0.984 [24.99]	0.362 [9.19]	0.240 [6.10]	0.483 [12.27]	0.050 [1.27]	4
2	Std-D: 15 High-D: 26	Combo-D: 3W3, 3WK3, 7W2, 11W1 Combo-D High-D: 19W1	D15000A*1*20	1.236 [31.39]	0.616 [15.65]	2.090 [53.09]	1.790 [45.47]	1.852 [47.04]	1.312 [33.32]	0.690 [17.53]	0.350 [8.89]	0.483 [12.27]	0.100 [2.54]	4
3	Std-D: 25 High-D: 44	Combo-D: 5W5, 9W4, 13W3, 17W2, 21W1 Combo-D High-D: 15W4	D25000A*1*20	1.656 [42.06]	0.616 [15.65]	2.090 [53.09]	1.790 [45.47]	2.392 [60.76]	1.852 [47.04]	0.690 [17.53]	0.350 [8.89]	0.483 [12.27]	0.100 [2.54]	4
--	Std-D: 29 High-D: n/a	Combo-D: n/a Combo-D High-D: n/a	D29000A*1*20	1.338 [33.99]	0.727 [18.47]	2.090 [53.09]	1.790 [45.47]	2.074 [52.68]	1.534 [38.96]	0.690 [17.53]	0.350 [8.89]	0.594 [15.09]	0.100 [2.54]	4
4	Std-D: 37 High-D: 62	Combo-D: 8W8, 13W6, 17W5, 21WA4, 25W3, 27W2 Combo-D High-D: 45W2	D37000A*1*20	2.304 [58.52]	0.616 [15.65]	2.340 [59.44]	2.040 [51.82]	3.040 [77.22]	2.500 [63.50]	1.242 [31.55]	0.410 [10.41]	0.483 [12.27]	0.130 [3.30]	6
5	Std-D: 50 High-D: 78	Combo-D: 24W7, 36W4, 43W2, 47W1 Combo-D High-D: n/a	D50000A*1*20	2.210 [56.13]	0.727 [18.47]	2.340 [59.44]	2.040 [51.82]	2.946 [74.83]	2.406 [61.11]	1.242 [31.55]	0.410 [10.41]	0.594 [15.09]	0.130 [3.30]	6
6	Std-D: n/a High-D: 104	Combo-D: 46W4 Combo-D High-D: n/a	D104000A*1*20	2.304 [58.52]	0.790 [20.07]	2.340 [59.44]	2.040 [51.82]	3.040 [77.22]	2.500 [63.50]	1.242 [31.55]	0.410 [10.41]	0.657 [16.69]	0.130 [3.30]	6



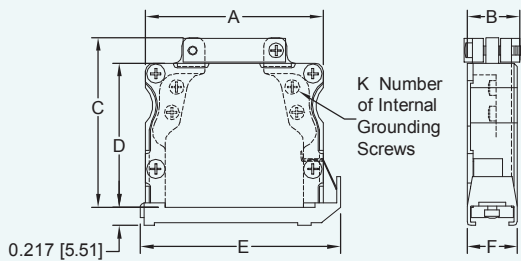
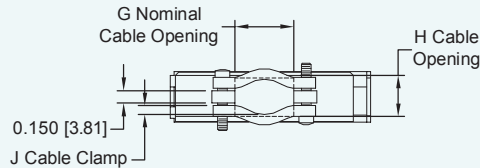
LIGHTWEIGHT ALUMINUM CABLE ADAPTER (HOOD)

WITH QUICK DISCONNECT LOCKING DEVICE

CODE A*1VL AND A*1V3

CODE VL

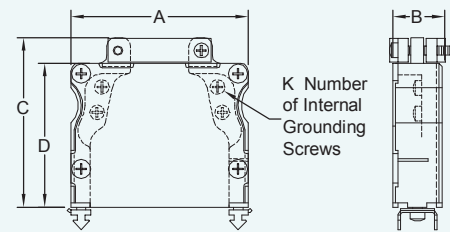
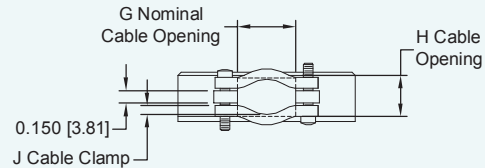
LOCK ACTUATION LEVER



TYPICAL PART NUMBER: D25000ANVLO

CODE V3

LOCKING TABS



TYPICAL PART NUMBER: D25000ACV30

Also available with
Back panel mounted
locking tabs,
see page 28 for details.

D25000ANVLO -
Lightweight aluminum
cable adapter with
vibration lock lever,
pictured with connector
installed.



NOTES:

- *1 For completed part number, insert desired code number from "MATERIAL & FINISH OPTION" chart on page 14.
- *2 Smaller cable openings may be achieved by inverting one or both cable clamps.

SHELL SIZE	CONNECTOR / CONTACT ARRANGEMENT COMPATIBILITY		PART NUMBER	A	B	C	D	E	F	G	H		J	K
											Min.*2	Max.		
1	Std-D: 9 High-D: 15	Combo-D: 5W1, 2WK2 Combo-D High-D: 8W2	D9000A*1VL0	1.219 [30.96]	0.586 [14.88]	2.000 [50.08]	1.700 [43.18]	1.460 [37.08]	0.592 [15.04]	0.362 [9.19]	0.240 [6.10]	0.453 [11.51]	0.050 [1.27]	4
			D9000A*1V30	---	---	---	---	---	---	---	---	---	---	
2	Std-D: 15 High-D: 26	Combo-D: 3W3, 3WK3, 7W2, 11W1 Combo-D High-D: 19W1	D15000A*1VL0	1.547 [39.29]	0.586 [14.88]	2.000 [50.08]	1.700 [43.18]	1.770 [44.96]	0.592 [15.04]	0.690 [17.53]	0.350 [8.89]	0.453 [11.51]	0.100 [2.54]	4
			D15000A*1V30	---	---	---	---	---	---	---	---	---	---	
3	Std-D: 25 High-D: 44	Combo-D: 5W5, 9W4, 13W3, 17W2, 21W1 Combo-D High-D: 15W4	D25000A*1VL0	2.094 [53.19]	0.586 [14.88]	2.000 [50.08]	1.700 [43.18]	2.360 [59.94]	0.592 [15.04]	0.690 [17.53]	0.350 [8.89]	0.453 [11.51]	0.100 [2.54]	4
			D25000A*1V30	---	---	---	---	---	---	---	---	---	---	
--	Std-D: 29 High-D: n/a	Combo-D: n/a Combo-D High-D: n/a	D29000A*1VL0	1.776 [45.11]	0.689 [17.73]	2.000 [50.08]	1.700 [43.18]	2.030 [51.56]	0.715 [18.16]	0.690 [17.53]	0.350 [8.89]	0.564 [14.33]	0.100 [2.54]	4
			D29000A*1V30	---	---	---	---	---	---	---	---	---	---	
4	Std-D: 37 High-D: 62	Combo-D: 8W8, 13W6, 17W5, 21WA4, 25W3, 27W2 Combo-D High-D: 45W2	D37000A*1VL0	2.736 [69.49]	0.586 [14.88]	2.250 [57.15]	1.950 [49.53]	3.015 [76.58]	0.592 [15.04]	1.242 [31.55]	0.410 [10.41]	0.453 [11.51]	0.130 [3.30]	6
			D37000A*1V30	---	---	---	---	---	---	---	---	---	---	
5	Std-D: 50 High-D: 78	Combo-D: 24W7, 36W4, 43W2, 47W1 Combo-D High-D: n/a	D50000A*1VL0	2.642 [67.11]	0.689 [17.73]	2.250 [57.15]	1.950 [49.53]	2.900 [73.66]	0.715 [18.16]	1.242 [31.55]	0.410 [10.41]	0.564 [14.33]	0.130 [3.30]	6
			D50000A*1V30	---	---	---	---	---	---	---	---	---	---	



CODE G - GENERAL INFORMATION

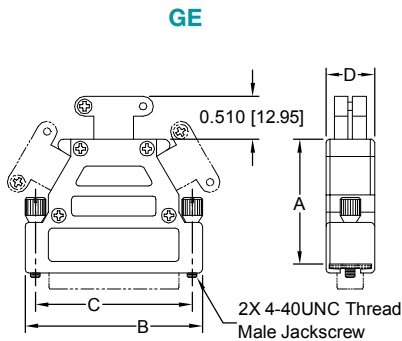
- EMI/RFI shielding
- Die cast zinc construction to maximize shielding and ruggedness.
- Well-proportioned to allow ample room for internal conductors.
- Central grounding post inside the cable adapter.
- Cable clamps and various cable exit options offered.
- Unused cable openings EMI/RFI protected using included metal plugs.
- Crimp ferrule system available for greater shielding performance and greater cable retention; see page 20.
- Offered with rotating jackscrews or quick disconnect locking systems.
- Supplied for D-subminiature connector housing sizes 1 - 6.

The EMI/RFI hood and adapters shown on pages 17 - 20 of this catalog are manufactured by **Inotec Electronics**. Positronic serves as the North American distributor of these hoods and adapters.

EMI/RFI METAL CABLE ADAPTER (HOOD)

WITH ROTATING JACKSCREWS

CODE GE^{*1}



CABLE CLAMP OPENINGS

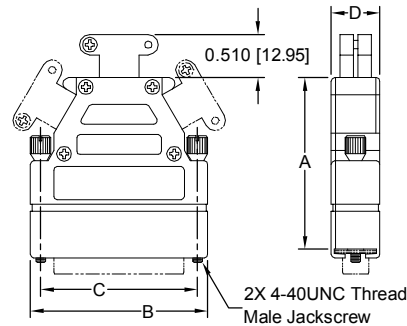
Shell Sizes 1 - 4:
0.118 [3.00], Min.
0.472 [11.99], Max.

Shell Size 5 - 6:
0.197 [5.00], Min.
0.551 [14.00], Max.

Material:
Zinc, die cast.

EXTENDED HEIGHT GE^{*2}

FOR EXTENDED GE CABLE ADAPTER,
ADD THE SUFFIX AS INDICATED IN THE TABLE BELOW.



TYPICAL PART NUMBER: D25000GE0

TYPICAL PART NUMBER: D25000GE0-1023.5

PART NUMBER (Shell Size)	A	B	C	D	CABLE EXIT OPTION ^{*5}
D9000GE0 (Shell Size 1)	1.398 [35.50]	1.220 [31.00]	0.984 [25.00]	0.583 [14.81]	1 Top (Not pictured)
D9000GE0-1023.50 (Shell Size 1)	1.398 [35.50]	1.220 [31.00]	0.984 [25.00]	0.583 [14.81]	1 Side (Not pictured)
D15000GE0 (Shell Size 2)	1.575 [40.00]	1.547 [39.30]	1.311 [33.30]	0.583 [14.81]	1 Top, 1 Side ^{*3} (Not pictured)
D15000GE0-1579.0 (Shell Size 2)	1.575 [40.00]	1.547 [39.30]	1.311 [33.30]	0.583 [14.81]	1 Side (Not pictured)
D25000GE0 (Shell Size 3)	1.575 [40.00]	2.094 [53.20]	1.850 [47.00]	0.583 [14.81]	1 Top, 2 Side ^{*4}
D37000GE0 (Shell Size 4)	1.575 [40.00]	2.736 [69.50]	2.500 [63.50]	0.583 [14.81]	1 Top, 2 Side ^{*4}
D50000GE0 (Shell Size 5)	1.654 [42.00]	2.638 [67.00]	2.406 [61.10]	0.701 [17.80]	1 Top, 2 Side ^{*4}
D104000GE0 (Shell Size 6)	1.560 [39.62]	2.835 [72.01]	2.500 [63.50]	0.764 [19.40]	1 Top, 2 Side ^{*4} (Not pictured)

PART NUMBER (Shell Size)	A	B	C	D	CABLE EXIT OPTION ^{*5}
D9000GE0-1023.5 (Shell Size 1)	1.988 [50.50]	1.220 [31.00]	0.984 [25.00]	0.583 [14.81]	1 Side (Not pictured)
D9000GE0-1023.49 (Shell Size 1)	1.988 [50.50]	1.220 [31.00]	0.984 [25.00]	0.583 [14.81]	1 Top (Not pictured)
D15000GE0-1023.5 (Shell Size 2)	2.165 [55.00]	1.547 [39.30]	1.311 [33.30]	0.583 [14.81]	1 Top, 1 Side ^{*3} (Not pictured)
D25000GE0-1023.5 (Shell Size 3)	2.165 [55.00]	2.094 [53.20]	1.850 [47.00]	0.583 [14.81]	1 Top, 2 Side ^{*4}
D37000GE0-1023.5 (Shell Size 4)	2.165 [55.00]	2.736 [69.50]	2.500 [63.50]	0.583 [14.81]	1 Top, 2 Side ^{*4}
D50000GE0-1023.5 (Shell Size 5)	2.244 [57.00]	2.638 [67.00]	2.406 [61.10]	0.701 [17.80]	1 Top, 2 Side ^{*4}

FEATURES:

- Gripping shoulders enable trouble-free extraction of the connector assembly even with tightly packed aligned cable adapters.
- Rotating jackscrews offer the most secure mechanical locking of the connector system.
- Standard height cable adapters for use with connector shell sizes 1 and 2 are available with a top or side cable exit option. Contact Technical Sales for details.
- Cable adapters for use with connector shell sizes 3 - 5 are designed with three (3) cable entries and can permit the looping through of cables. Cable entries not used are sealed with supplied metal plugs to maintain EMI/RFI shielding qualities.
- Two (2) height options are available, one being a low profile option (as shown on the left side of this page). An increased height option (as shown on the right side of this page) is offered for use with power conductors and coaxial cable, such as might be used with the Positronic CBD/CBM series connectors.
- Grounding to the cable adapter may be accomplished by fastening wires inside cable adapter with an M3 threaded Phillips head screw.



NOTES:

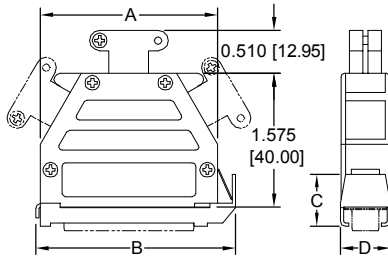
- ^{*1} To prevent stripping of the cable adapter assembly screws, we recommend using Pozidriv screwdriver bits available from stock using part number 9535-2-2-0, contact Technical Sales. Standard height GE cable adapter use the Pozidriv style jackscrews. Internal hex jackscrews are available for the standard height, but require an MOS.
- ^{*2} The extended height cable adapters use an internal hex jackscrew.
- ^{*3} These cable adapters are supplied with one (1) cable clamp set and one (1) opening plug.
- ^{*4} These cable adapters are supplied with one (1) cable clamp set and two (2) opening plugs.
- ^{*5} See page 20 for optional Crimp Ferrule System.



EMI/RFI METAL CABLE ADAPTER (HOOD)¹ WITH QUICK DISCONNECT LOCKING DEVICE CODE G AND GVL

GVL CABLE ADAPTER SHOWN FOR REFERENCE, FOR G CABLE ADAPTER USE SAME DRAWING AS GVL CABLE ADAPTER EXCEPT WITHOUT THE LOCK ACTUATION LEVER

G / GVL



TYPICAL PART NUMBER: D25000GVL0

CABLE CLAMP OPENINGS

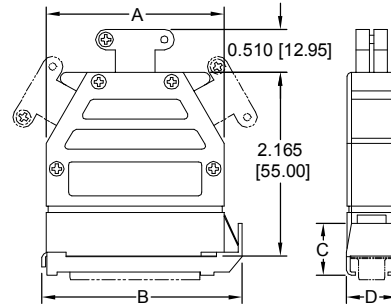
Shell Sizes 1 - 4:
0.118 [3.00], Min.
0.472 [11.99], Max.

Shell Size 5:
0.197 [5.00], Min.
0.551 [14.00] Max.

Material:
Zinc, die cast.

EXTENDED HEIGHT G^{*2} / GVL^{*2}

FOR EXTENDED CABLE ADAPTER,
ADD THE SUFFIX AS INDICATED IN THE TABLE BELOW.



TYPICAL PART NUMBER: D25000GVL0-1023.0

SHELL SIZE	PART NUMBER	A	B	C	D	CABLE EXIT OPTION ^{*5}
1	D9000G00	1.260 [32.00]	---	---	---	2 Side ^{*3}
	D9000GVL0		1.460 [37.08]	0.615 [15.62]	0.600 [15.24]	
2	D15000G00	1.547 [39.30]	---	---	---	1 Top, 2 Side ^{*4}
	D15000GVL0		1.770 [44.96]	0.615 [15.62]	0.600 [15.24]	
3	D25000G00	2.094 [53.20]	---	---	---	1 Top, 2 Side ^{*4}
	D25000GVL0		2.360 [59.94]	0.615 [15.62]	0.600 [15.24]	
4	D37000G00	2.736 [69.50]	---	---	---	1 Top, 2 Side ^{*4}
	D37000GVL0		3.020 [76.71]	0.615 [15.62]	0.600 [15.24]	
5	D50000G00	2.638 [67.00]	---	---	---	1 Top, 2 Side ^{*4}
	D50000GVL0		2.900 [73.66]	0.635 [16.13]	0.710 [18.03]	

SHELL SIZE	PART NUMBER	A	B	C	D	CABLE EXIT OPTION ^{*5}
1	D9000G00-1023.2	1.260 [32.00]	---	---	---	2 Side ^{*3}
	D9000GVL0-1023.0		1.460 [37.08]	0.615 [15.62]	0.600 [15.24]	
2	D15000G00-1023.2	1.547 [39.30]	---	---	---	1 Top, 2 Side ^{*4}
	D15000GVL0-1023.0		1.770 [44.96]	0.615 [15.62]	0.600 [15.24]	
3	D25000G00-1023.2	2.094 [53.20]	---	---	---	1 Top, 2 Side ^{*4}
	D25000GVL0-1023.0		2.360 [59.94]	0.615 [15.62]	0.600 [15.24]	
4	D37000G00-1023.2	2.736 [69.50]	---	---	---	1 Top, 2 Side ^{*4}
	D37000GVL0-1023.0		3.020 [76.71]	0.615 [15.62]	0.600 [15.24]	
5	D50000G00-1023.2	2.638 [67.00]	---	---	---	1 Top, 2 Side ^{*4}
	D50000GVL0-1023.0		2.900 [73.66]	0.635 [16.13]	0.710 [18.03]	

NOTES:

- *1 To prevent stripping of the cable adapter assembly screws, we recommend using Pozidriv screwdriver bits available from stock using part number 9535-2-2-0, contact Technical Sales. For the mounting screws, we recommend using a standard Phillips head screwdriver bit.
- *2 The extended height cable adapters use an internal hex jackscrew.
- *3 These cable adapters are supplied with one (1) cable clamp set and one (1) opening plug.
- *4 These cable adapters are supplied with one (1) cable clamp set and two (2) opening plugs.
- *5 See page 20 for optional Crimp Ferrule System.



FEATURES:

- Rapid locking system stays in a constantly-locked position, utilizing a blade spring. System is unlocked by simply pressing the slide latch. Locking is automatic upon coupling to the mating connector.
- Gripping shoulders enable trouble-free extraction of the connector assembly even with tightly packed aligned cable adapters.
- Cable adapters for use with connector shell sizes 2 - 5 are designed with three (3) cable entries and can permit the looping through of cables. Cable entries not used are sealed with the supplied metal plugs to maintain EMI/RFI shielding. Cable adapters for use with connector shell size 1 are designed with only two (2) side openings.
- Two (2) height options are available, one being a low profile option (as shown on the left side of this page). An increased height option (as shown on the right side of this page) is offered for use with power conductors and coaxial cable, such as might be used with the Positronic CBD/CBM series connectors.
- Grounding to the cable adapter may be accomplished by fastening wires inside cable adapter with an M3 threaded Phillips head screw.

For information regarding **QUICK DISCONNECT LOCKING DEVICE**, see page 28.



EMI/RFI METAL CABLE ADAPTER (HOOD)^{*1} WITH M3 THREADS

TO OBTAIN THE FIXED FEMALE JACKSCREWS (SHOWN BELOW),
ADD THE SUFFIX "-1193.6" TO THE END OF THE PART NUMBER.

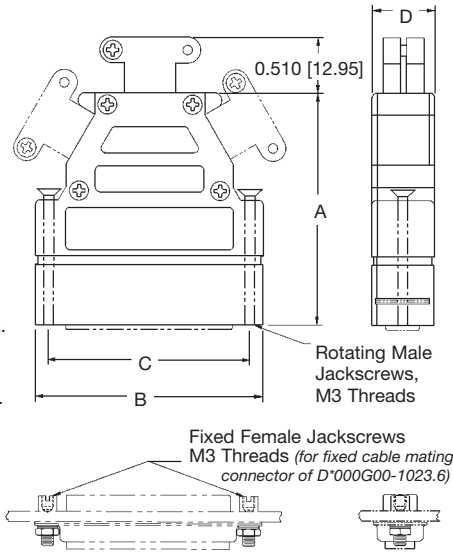
Contact Technical Sales for additional ordering information.

CABLE CLAMP OPENINGS

Shell Sizes 1 - 4:
0.118 [3.00], Min.
0.472 [11.99], Max.

Shell Size 5:
0.197 [5.00], Min.
0.551 [14.00] Max.

Material:
Zinc, die cast



NOTES:

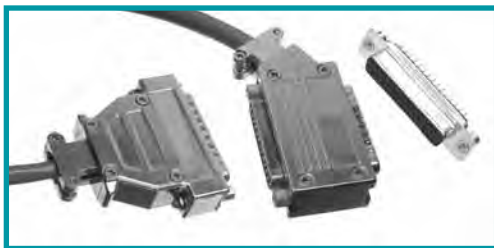
- ^{*1} To prevent stripping of the cable adapter assembly screws, we recommend using Pozidriv screwdriver bits available from stock using part number 9535-2-2-0, contact Technical Sales.
- ^{*2} These cable adapters are supplied with one (1) cable clamp set and two (2) opening plugs.
- ^{*3} See page 20 for optional Crimp Ferrule System.

PART NUMBER (Shell Size)	A	B	C	D	CABLE EXIT OPTION ^{*3}
D9000GE0-1023.6 (Shell Size 1)	1.949 [49.50]	1.287 [32.70]	0.984 [25.00]	0.583 [14.81]	1 Top (Not pictured)
D15000GE0-1023.6 (Shell Size 2)	2.126 [54.00]	1.551 [39.40]	1.311 [33.30]	0.583 [14.81]	1 Side (Not pictured)
D25000GE0-1023.6 (Shell Size 3)	2.126 [54.00]	2.165 [55.00]	1.850 [47.00]	0.583 [14.81]	1 Top, 2 Side ^{*2}
D37000GE0-1023.6 (Shell Size 4)	2.204 [56.00]	2.803 [71.20]	2.500 [63.50]	0.583 [14.81]	1 Top, 2 Side ^{*2}
D50000GE0-1023.6 (Shell Size 5)	2.204 [56.00]	2.717 [69.01]	2.406 [61.10]	0.701 [17.80]	1 Top, 2 Side ^{*2}
D104000GE0-1023.6 (Shell Size 6)	1.929 [49.00]	2.835 [72.00]	2.500 [63.50]	0.764 [19.40]	1 Top, 2 Side ^{*2}

FEATURES:

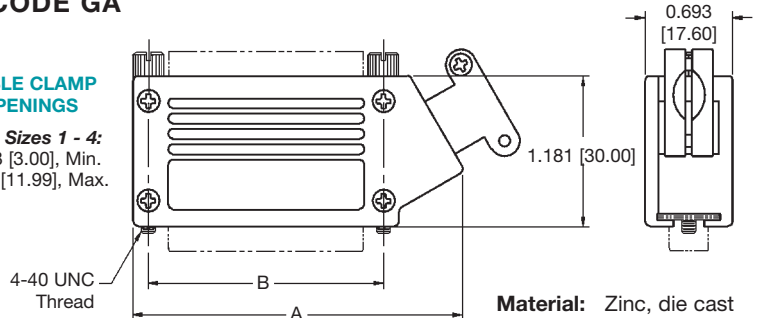
- Developed for applications where the highest degree of EMI/RFI shielding protection is required.
- The connector is recessed into the cable adapter so that additional EMI/RFI protection is gained.
- When this connector system is fully coupled, the front edge of the cable adapter presses against the panel that houses the mating connector, offering greater shielding.
- Cable adapters for use with connector shell sizes 3 - 5 are designed with three (3) cable entries and can permit the looping through of cables. Cable entries not used are sealed with supplied metal plugs to maintain EMI/RFI shielding qualities.
- Jackscrew locking system is supplied as a standard for secure mechanical coupling.
- Grounding to the cable adapter may be accomplished by fastening wires inside cable adapter with an M3 threaded Phillips head screw.

EMI/RFI ADAPTER CODE GA^{*1}



CABLE CLAMP OPENINGS

Shell Sizes 1 - 4:
0.118 [3.00], Min.
0.472 [11.99], Max.



FEATURES:

- The "GA" series adapter can be used as a gender-changer which provides EMI/RFI protection.
- The "GA" series adapter allows for internal placement of a printed circuit board between the connectors.
- The "GA" series adapter can be used to adapt connectors of one interface standard to another.
- The "GA" series adapter can be used in applications where tapping into the electrical line path between connectors is necessary. A cable exit is provided for this application.
- If no connector is inserted into the rear side of the cable adapter, the opening can be closed with a metal plate which can be adapted for use with LED's, mini-switches, and coaxial connectors.
- Jackscrew locking system is supplied as a standard for secure mechanical coupling.
- Grounding to the cable adapter may be accomplished by fastening wires inside cable adapter with an M3 threaded Phillips head screw.

PART NUMBER (Shell Size)	A	B	OPTIONAL COVER PLATE	OPTIONAL CABLE OPENING PLUG ^{*2}
D9000GA0 (Shell Size 1)	1.733 [44.00]	0.984 [25.00]	4589-9-0-0	4596-1-0-0 ^{*3}
D15000GA0 (Shell Size 2)	2.059 [52.30]	1.311 [33.30]	4589-15-0-0	4596-1-0-0 ^{*3}
D25000GA0 (Shell Size 3)	2.598 [66.00]	1.850 [47.00]	4589-25-0-0	4596-1-0-0 ^{*3}
D37000GA0 (Shell Size 4)	3.248 [82.50]	2.500 [63.50]	4589-37-0-0	4596-1-0-0 ^{*3}

NOTES:

- ^{*1} To prevent stripping of the cable adapter assembly screws, we recommend using Pozidriv screwdriver bits available from stock using part number 9535-2-2-0, contact Technical Sales.
- ^{*2} See page 20 for optional Crimp Ferrule System.
- ^{*3} Must be purchased separately.



CRIMP FERRULE SYSTEMS FOR USE WITH CODE G CABLE ADAPTERS (HOODS)

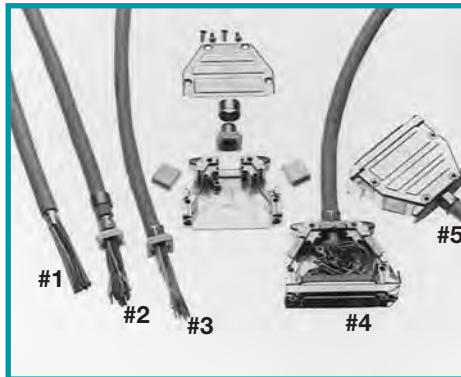
The crimp ferrule system can be used with all Positronic code "G" cable adapters and is recommended when maximizing EMI/RFI protection is desired.

The crimp ferrule system optimizes the transition of the cable shield into the cable adapter in three ways. First: It provides a low impedance connection of the cable shield to the cable adapter which remains constant over time. Second: The system provides an EMI/RFI tight cable exit point. Third: The system provides for high mechanical retention of the cable in the cable adapter.

Application of the crimp ferrule system is quite simple. Once the cable insulation and shield are cut to the correct dimensions (#1), the crimp ferrule is placed over the cable

and the crimp flange is inserted between the shield and the conductors (#2). The crimp ferrule is now slid over the cable insulation into position over the crimp flange and the crimp is made using Positronic-supplied hand press and die sets (#3). This assembly is then terminated to the connector and placed into the cable adapter (#4). Finally, the cover is placed on the cable adapter and secured using four (4) screws (#5).

To order the Positronic-supplied hand press, request part number 9520-0-0-0 or for hand crimp tool, request part number 9521-3-0-0. To order Positronic-supplied die sets, contact Technical Sales for ordering information, since die sets are customized based on the specific crimp flanges, crimp ferrules and cables used.



A crimp ferrule (left) and a crimp flange (right) shown above.

CRIMP FERRULE / FLANGE ORDERING INFORMATION

STEP	1	2	3	4	
TYPICAL	4592	***	***	0	CRIMP FERRULE
PART NUMBERS	4593	***	***	0	CRIMP FLANGE
STEP 1 - BASIC SERIES 4592 - Crimp Ferrule 4593 - Crimp Flange		STEP 2 & 3 - DIAMETERS*1		STEP 4 - PLATING 0 - Standard plating.	

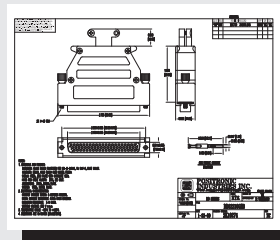
NOTE:

*1 Contact Technical Sales for part number completion which is determined by Customer-required cable diameters and type.

Visit our website for the latest catalog updates and supplements at
<http://www.connectpositronic.com/products/58/D-subminiatureAccessories/catalogs/>

Do you need 2-D drawings or 3-D models?

Once you have made a connector selection, contact Technical Sales if you would like a 2-D drawing or 3-D model. If we do not have your specific part number on file, we can create one for you. Or, please visit www.connectpositronic.com and use the search function.





Positronic Industries
connectpositronic.com

CABLE ADAPTERS (HOODS/BACKSHELLS)

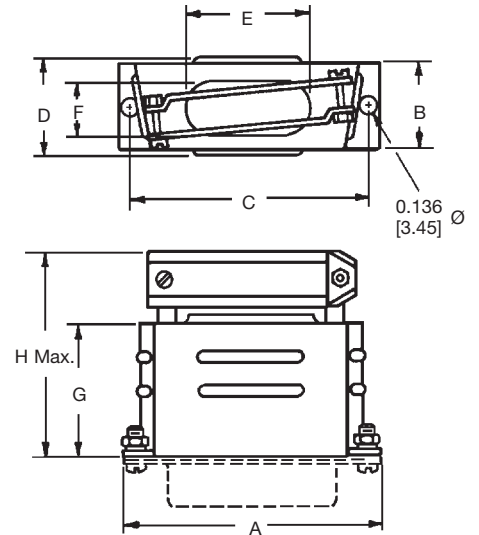
D-Sub
Accessories

METAL CABLE ADAPTER (HOOD) CODE H

Material: *Steel, zinc plate with chromate seal.*

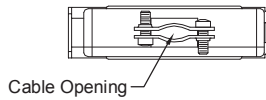
NOTE: Brass with gold plate finish is available for space applications. Contact Technical Sales for ordering information.

PART NUMBER (Shell Size)	A	B	C	D MAX.	E	F	G	H MAX.
D15000H00 (Shell Size 2)	1.531 [36.88]	0.492 [12.50]	1.312 [33.32]	0.578 [14.68]	0.713 [18.11]	0.312 [7.92]	0.750 [19.05]	1.219 [30.96]
D25000H00 (Shell Size 3)	2.078 [52.78]	0.492 [12.50]	1.852 [47.04]	0.578 [14.68]	1.000 [25.40]	0.312 [7.92]	1.000 [25.40]	1.532 [38.91]
D37000H00 (Shell Size 4)	2.718 [69.03]	0.492 [12.50]	2.500 [63.50]	0.578 [14.68]	1.375 [34.93]	0.312 [7.92]	1.000 [25.40]	1.532 [38.91]
D50000H00 (Shell Size 5)	2.625 [66.68]	0.601 [15.27]	2.406 [61.11]	0.687 [17.45]	1.406 [35.71]	0.406 [10.31]	1.125 [28.58]	1.657 [42.09]



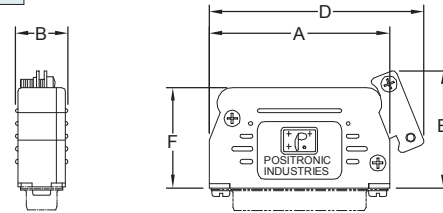
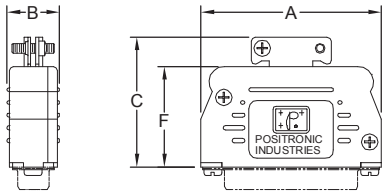
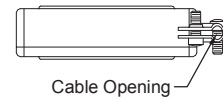
PLASTIC CABLE ADAPTER (HOOD) CODE J AND L

CODE J
TOP OPENING



Typically used
with *Quick
Disconnect
Locking Device,*
see page 28

CODE L
SIDE OPENING



Material:

Cable Adapter: Glass-filled nylon, 94V-0.

Cable Clamps: Steel, nickel plate.



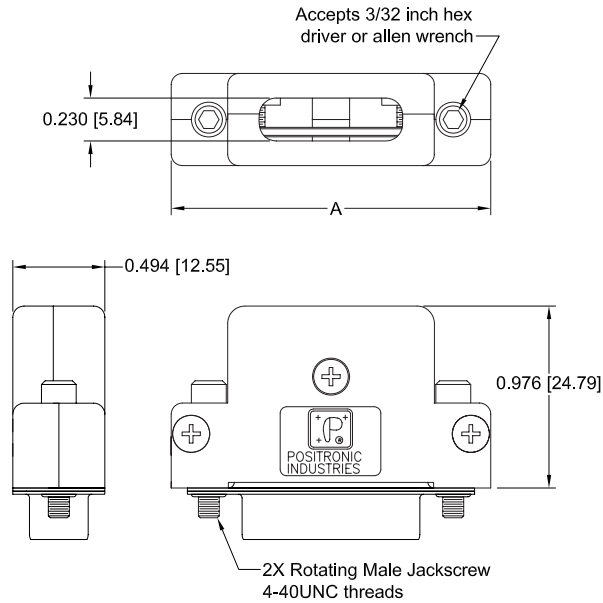
D25000LVLO

PART NUMBER (Shell Size)	A	B	C	D	E	F	CABLE OPENING	
							MINIMUM	MAXIMUM
D9000J00 D9000L00 (Shell Size 1)	1.262 [32.05]	0.593 [15.06]	1.310 [28.70]	1.520 [38.61]	1.030 [26.16]	0.864 [21.95]	0.145 [3.43] Ø	0.280 [7.11] Ø
D1500J00 D1500L00 (Shell Size 2)	1.551 [39.40]	0.649 [16.48]	1.414 [35.92]	1.900 [48.26]	1.240 [31.50]	1.022 [25.96]	0.160 [4.06] Ø	0.275 [6.99] Ø
D2500J00 D2500L00 (Shell Size 3)	2.129 [54.08]	0.621 [15.77]	1.533 [38.94]	2.492 [63.30]	1.380 [35.10]	1.186 [30.12]	0.110 [2.79] Ø	0.275 [6.99] Ø
D2900J00 D2900L00	1.801 [45.75]	0.697 [17.70]	1.537 [39.04]	2.164 [54.97]	1.390 [35.31]	1.196 [30.38]	0.110 [2.79] Ø	0.390 [9.91] Ø
D3700J00 D3700L00 (Shell Size 4)	2.786 [70.76]	0.650 [16.51]	1.844 [46.84]	3.188 [79.20]	1.690 [42.93]	1.506 [38.25]	0.230 X 0.630 [5.84] X [16.00]	0.350 X 0.630 [8.89] X [16.00]
D5000J00 D5000L00 (Shell Size 5)	2.688 [68.28]	0.745 [18.92]	1.839 [46.71]	3.015 [76.58]	1.690 [42.93]	1.504 [38.23]	0.230 X 0.630 [5.84] X [16.00]	0.430 X 0.630 [10.92] X [16.00]



LOW PROFILE CABLE ADAPTER (HOOD) CODE QH

Note: When using QH cable adapter with connector series other than QB, use MOS -1886.0 to allow for installation of required mounting spacers.
Example part number:
RD15S10QH00-1886.0



Material:

Cable Adapter: Glass filled polyester, UL94V-0.

Jackscrews: Steel with zinc plate and chromate seal or tin plate; stainless steel, passivated.

Internal cable clamp: Steel, nickel plate.

PART NUMBER (Shell Size)	A
D15000QH00 (Shell Size 2)	1.715 [43.56]
D25000QH00 (Shell Size 3)	2.255 [57.28]



QB7W2S00QH0 cable adapter shown above with contacts

CONTACT TECHNICAL SALES FOR MORE INFORMATION



Contact Technical Sales for details.

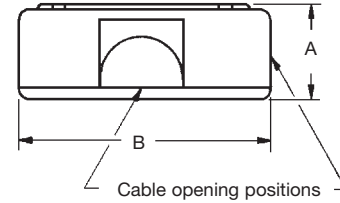
Positronic's D-subminiature Accessories are available in RoHS compliant materials. These materials will be supplied when the connector part number designates the RoHS modifier "/AA".



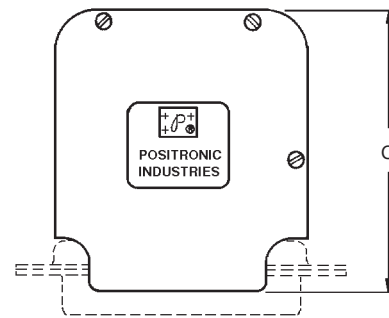
PLASTIC CABLE ADAPTER (HOOD) CODE W



SD25M10WE20 (left) and RD25S10W00 (right) shown above.



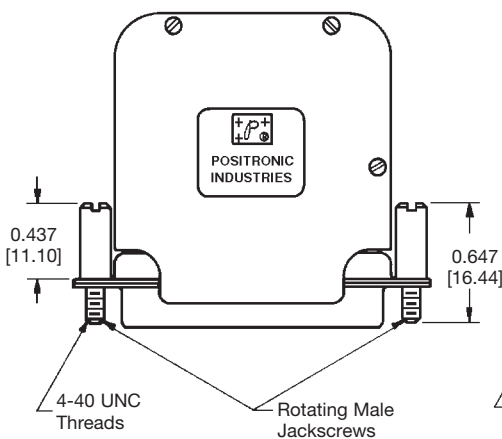
PART NUMBER (Shell Size)	A	B	C	CABLE OPENING	
				MINIMUM	MAXIMUM
D9000W00 (Shell Size 1)	0.630 [16.00]	0.770 [19.56]	1.800 [45.72]	R 0.093 [2.36]	R 0.093 [2.36]
D15000W00 (Shell Size 2)	0.630 [16.00]	1.100 [27.94]	1.800 [45.72]	R 0.125 [3.18]	R 0.456 [3.96]
D25000W00 (Shell Size 3)	0.630 [16.00]	1.622 [41.20]	1.800 [45.72]	R 0.125 [3.18]	R 0.250 [6.35]



Material: Polypropylene 94V-0.

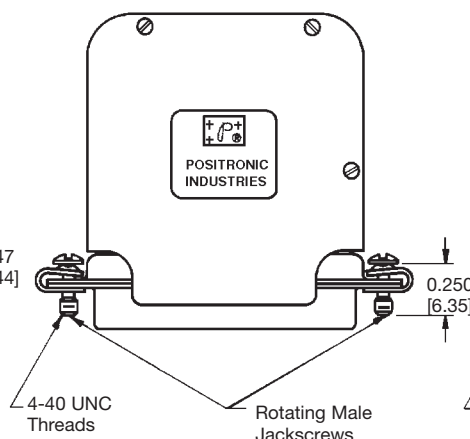
PLASTIC CABLE ADAPTER (HOOD) WITH ROTATING JACKSCREWS CODE WE, WE2, AND WE6

CABLE ADAPTERS



WE

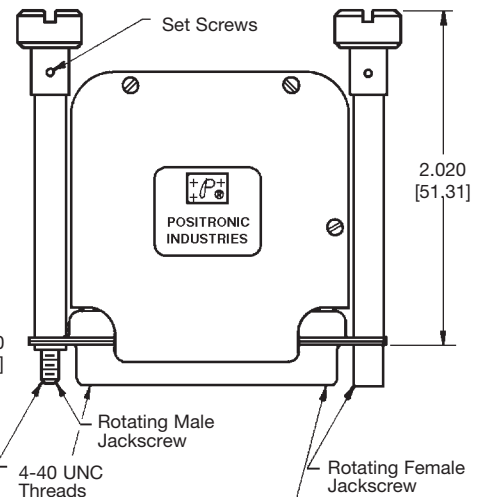
Material:
Cable adapter: Polypropylene 94V-0.
Jackscrew: Steel with zinc plate and chromate seal or tin plate; stainless steel, passivated.



WE2

Material:
Cable adapter: Polypropylene 94V-0.
Jackscrew: Steel with zinc plate and chromate seal or tin plate; stainless steel, passivated.

U-Clip: Spring steel with zinc plate and chromate seal or tin plate; stainless steel, passivated.

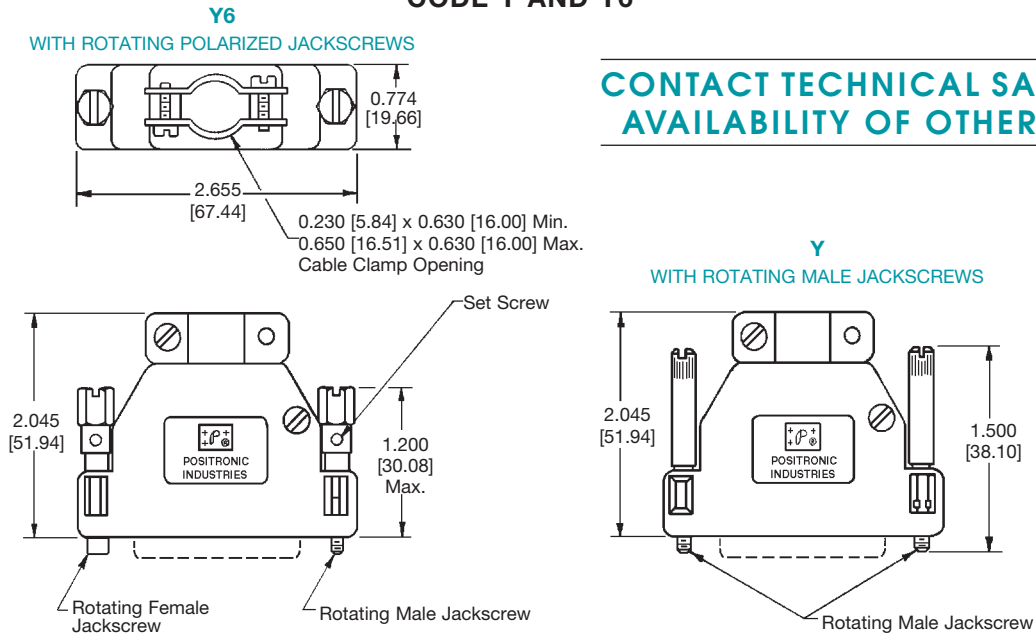


WE6

Material:
Cable adapter: Polypropylene 94V-0.
Jackscrew: Steel with zinc plate and chromate seal or tin plate; stainless steel, passivated.
Spacer & Knob: Aluminum, yellow chromate conversion.



SIZE 50 PLASTIC CABLE ADAPTER (HOOD) WITH ROTATING JACKSCREWS CODE Y AND Y6



Material: Cable adapter: Composite, conductive volume resistivity [1.0 ohm-cm max.].

Attenuation - 40+ decibels.

Alternate material - Glass-filled nylon, UL 94V-0.

Jackscrews - Steel with zinc plate and chromate seal or tin plate; stainless steel, passivated.

Cable Clamps - Steel, nickel plated.

SIZE 104 COMPOSITE CABLE ADAPTER (HOOD) WITH ROTATING JACKSCREWS CODE Y AND Y6

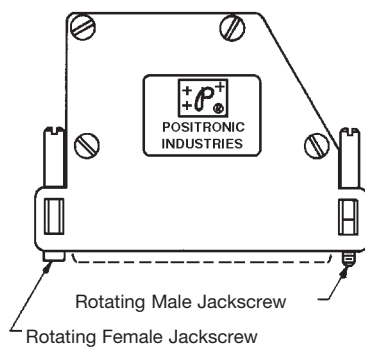
Material: Cable adapter: Composite, conductive volume resistivity [1.0 ohm-cm max.].

Attenuation: 40+ decibels.

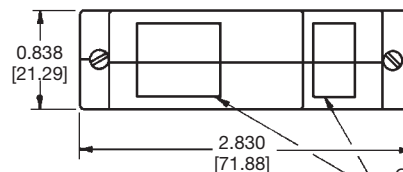
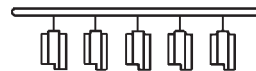
Alternate material: Glass-filled nylon, UL 94V-0.

Jackscrews: Steel with zinc plate and chromate seal.
Y6 knobs: stainless steel, passivated.

Y6
WITH ROTATING POLARIZED JACKSCREWS

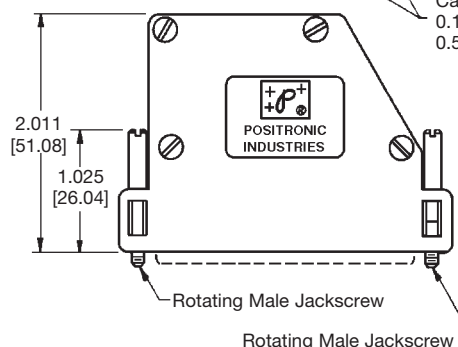


CABLE OPENING INSERT TREE



Cable Opening Positions:
0.125 [3.18] Ø Min.
0.550 [13.97] Ø Max.

Y
WITH ROTATING MALE
JACKSCREWS





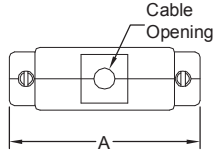
Positronic Industries
connectpositronic.com

CABLE ADAPTERS (HOODS/BACKSHELLS)

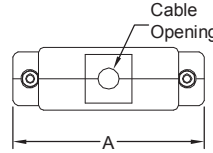
D-Sub
Accessories

EMI/RFI COMPOSITE CABLE ADAPTERS (HOODS) WITH JACKSCREWS

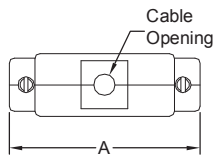
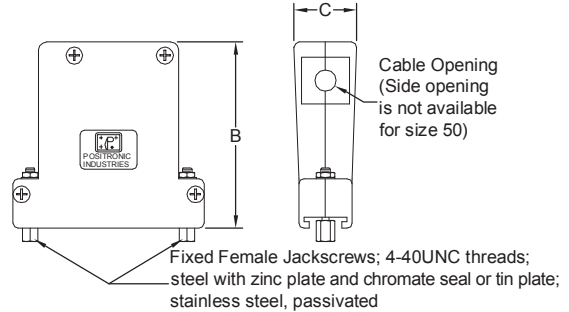
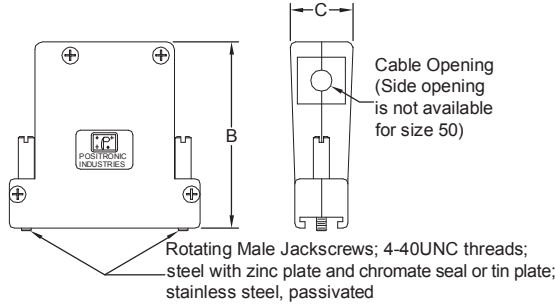
EXTENDED HEIGHT, BOTH TOP AND SIDE CABLE OPENINGS FOR LARGE DIAMETER SHIELDED AND POWER CONTACTS
CODE Z, Z4, Z6, AND Z7



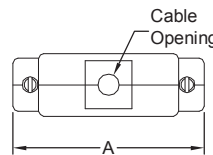
CODE Z - COMPOSITE CABLE ADAPTER WITH ROTATING MALE JACKSCREWS



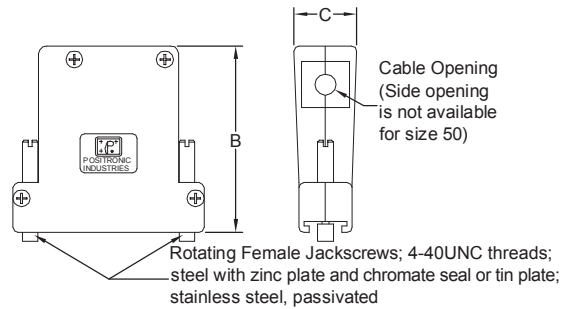
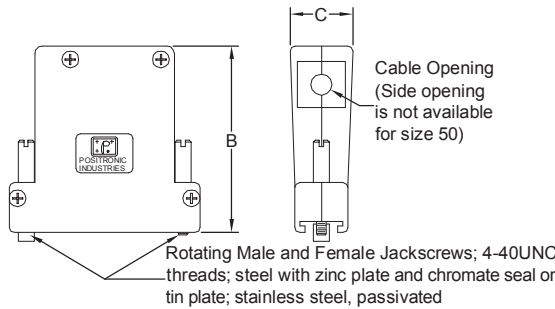
CODE Z4 - COMPOSITE CABLE ADAPTER WITH FIXED FEMALE JACKSCREWS



CODE Z6 - COMPOSITE CABLE ADAPTER WITH ROTATING MALE AND FEMALE JACKSCREWS



CODE Z7 - COMPOSITE CABLE ADAPTER WITH ROTATING FEMALE JACKSCREWS



Material: Composite, conductive volume resistivity [1.0 ohm-cm max.], UL94V-0. Attenuation: 40+ decibels.

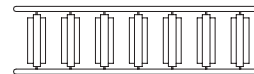
Alternate Material: Glass filled nylon, UL94V-0.

SHELL SIZE	PART NUMBER	A	B	C	CABLE OPENING	
					MIN.	MAX.
1	D9000Z00 D9000Z400 D9000Z600 D9000Z700	1.387 [35.23]	1.935 [49.15]	0.735 [18.67]	0.100 [2.54]	0.400 x 0.570 [10.16] x [14.48]
2	D15000Z00 D15000Z400 D15000Z600 D15000Z700	1.715 [43.56]	1.935 [49.15]	0.735 [18.67]	0.100 [2.54]	0.400 x 0.570 [10.16] x [14.48]
3	D25000Z00 D25000Z400 D25000Z600 D25000Z700	2.254 [57.25]	2.200 [55.88]	0.735 [18.67]	0.100 [2.54]	0.550 x 0.570 [13.97] x [14.48]
4	D37000Z00 D37000Z400 D37000Z600 D37000Z700	2.903 [73.74]	2.200 [55.88]	0.735 [18.67]	0.100 [2.54]	0.550 x 0.570 [13.97] x [14.48]
5	D50000Z00 D50000Z400 D50000Z600 D50000Z700	2.809 [71.35]	2.700 [68.58]	0.900 [22.86]	0.100 [2.54]	∅ 0.630 [16.00]

TYPICAL INSERTS



Various inserts are provided to accommodate different cable sizes.



INSERT TREE ASSEMBLY



POSITRONIC CABLIZED CONNECTORS

SAVE TIME AND MONEY!

Let Positronic support you by cablizing your **D-subminiature** connector selection.

Cable Assembly Design Support

We work closely with customers to:

1. Design assemblies in accordance with customer specifications.
2. Prepare cablized connector configuration and performance specifications.
3. Design each system in accordance with applicable customer, domestic, and international standards.
4. Define and conduct performance and verification testing.



Technical Sales Support



Engineering Support



Puerto Rico Cable Assembly



Quality Assurance

FOR MORE DETAILS CONTACT **TECHNICAL SALES**
OR VISIT OUR **WEB SITE** AT:

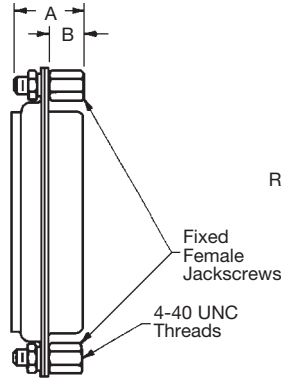
**[HTTP://WWW.CONNECTPOSITRONIC.COM/
PRODUCTS/47/CABLEASSEMBLIES](http://www.connectpositronic.com/products/47/cableassemblies)**



JACKSCREW SYSTEMS CODE T, T2, T3, T4, T5, E, E2, AND E3

T^{*1} / T2^{*1} / T3^{*1} / T4^{*1} / T5^{*1}

CODE	A	B
T ^{*3}	0.437 [11.10]	0.250 [6.35]
T2 ^{*3}	0.500 [12.70]	0.198 [5.03]
T3	0.812 [20.60]	0.198 [5.03]
T4	0.445 [11.30]	0.220 [5.59]
T5	0.448 [11.38]	0.198 [5.03]

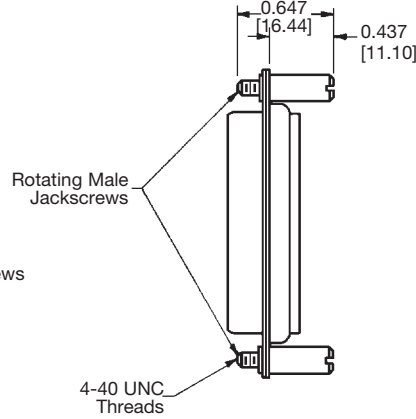


FIXED FEMALE JACKSCREWS

Material:^{*2} T, T4, and T5 = Copper alloy or steel with zinc plate and chromate seal or tin plate; stainless steel, passivated.

T2 and T3 = Steel with zinc plate and chromate seal or tin plate; stainless steel, passivated.

E / E3

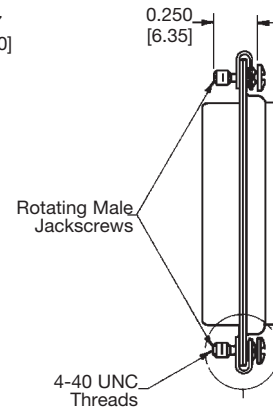


ROTATING MALE JACKSCREWS

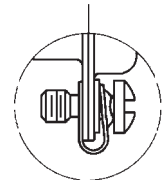
Material:^{*2} Steel with zinc plate and chromate seal or tin plate; stainless steel, passivated.

E = slotted for screw driver
E3 = rotating male with internal hex for 3/32 hex drives

E2



ROTATING MALE SCREW LOCKS



Material:^{*2}

Screw: Steel with zinc plate and chromate seal or tin plate; stainless steel, passivated.

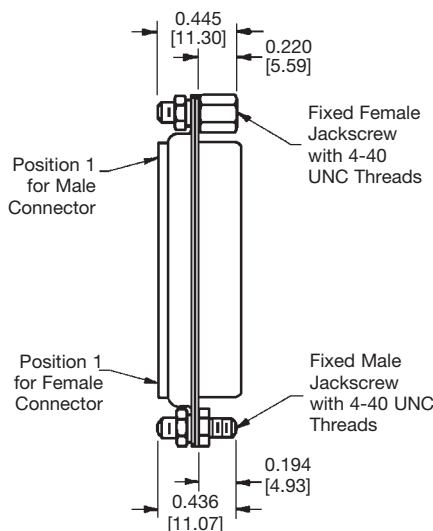
U-Clip: Spring steel with zinc plate and chromate seal or tin plate; stainless steel, passivated.

NOTES:

- *1 T, T2, T3, T4 or T5 jackscrew supplied on connectors in combination with other accessories may differ dimensionally, contact Technical Sales for more information.
- *2 T, T2, T3, T4, T5, E, E2 or E3 - Passivated stainless steel jackscrews available. Contact Technical Sales for ordering information.
- *3 Internal thread length of T & T2 jackscrews is 0.120 [3.05] nominal.

CODING DEVICE (KEYING) JACKSCREW SYSTEMS CODE T6 AND E6

T6



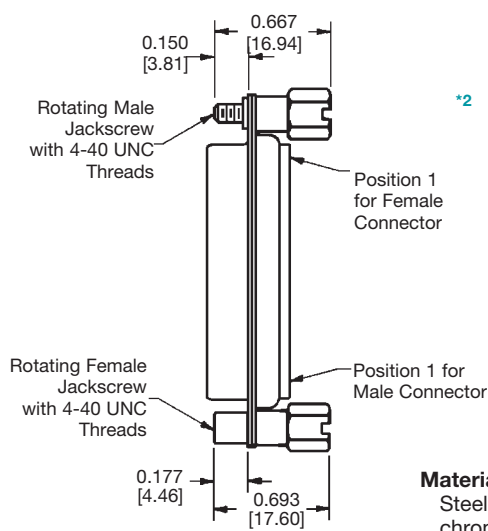
FIXED MALE AND FEMALE JACKSCREWS

Material:^{*1}

Male jackscrews: Steel with zinc plate and chromate seal or tin plate; stainless steel, passivated.

Female jackscrews: Copper alloy with zinc plate and chromate seal or tin plate; stainless steel, passivated.

E6^{*2}



ROTATING MALE AND FEMALE JACKSCREWS

Material:^{*1}

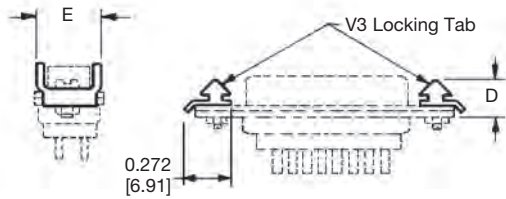
Steel with zinc plate and chromate seal or tin plate; stainless steel, passivated.

NOTES:

- *1 T6 or E6 passivated stainless steel jackscrews available. Contact Technical Sales for ordering information.
- *2 For customer installations of knobs onto jackscrews, recommend set screw torque value of 16 in/oz. Recommend application of thread lock to set screw.



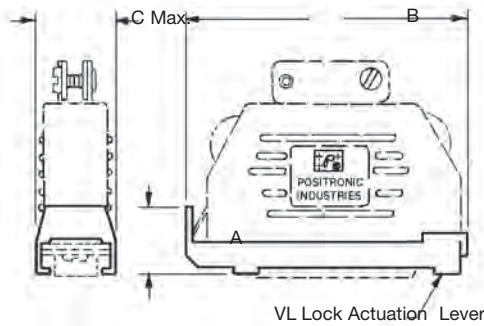
FRONT MOUNTED LOCKING TABS QUICK DISCONNECT LOCKING DEVICE CODE V3



Material: Steel or copper alloy, nickel plate.

SHELL SIZE	PART NO.	D	E
1	D9/370000V30	0.270 [6.85]	0.465 [11.81]
2	D9/370000V30	0.270 [6.85]	0.465 [11.81]
3	D9/370000V30	0.270 [6.85]	0.465 [11.81]
SPECIAL SIZE 29	D290000V30	0.270 [6.85]	0.585 [14.86]
4	D9/370000V30	0.270 [6.85]	0.465 [11.81]
5	D500000V30	0.270 [6.85]	0.585 [14.86]

LOCK ACTUATION LEVER QUICK DISCONNECT LOCKING DEVICE CODE VL

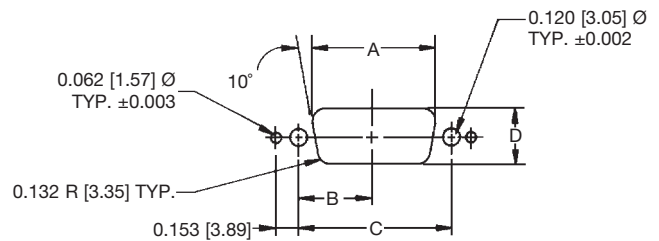
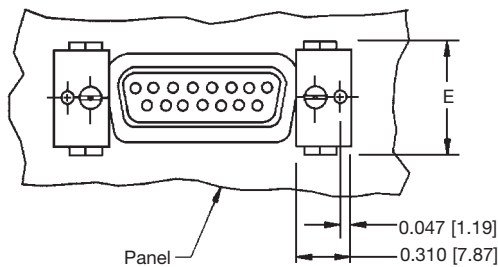


May be used
with **Front or
Back Mounted
Locking Tabs,**
see above and
below.

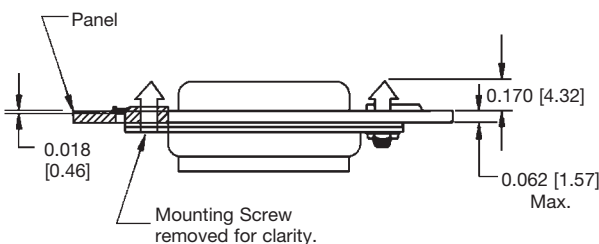
Material: Steel, nickel plate.

SHELL SIZE	PART NUMBER	A	B	C MAX.
1	D90000VL0	0.615 [15.62]	1.460 [37.08]	0.600 [15.24]
2	D150000VL0	0.615 [15.62]	1.770 [44.96]	0.600 [15.24]
3	D250000VL0	0.615 [15.62]	2.360 [59.94]	0.600 [15.24]
SPECIAL SIZE 29	D290000VL0	0.615 [15.62]	2.030 [51.56]	0.715 [18.16]
4	D370000VL0	0.615 [15.62]	3.020 [76.71]	0.600 [15.24]
5	D500000VL0	0.635 [16.13]	2.900 [73.66]	0.710 [18.03]

BACK MOUNTED LOCKING TABS QUICK DISCONNECT LOCKING DEVICE CODE V5



PANEL CUTOUT



Material: Steel, nickel plate.

SHELL SIZE	PART NUMBER	A	B	C	D	E
1	D9/370000V50	0.806 [20.47]	0.492 [12.50]	0.984 [24.99]	0.449 [11.40]	0.465 [11.81]
2	D9/370000V50	1.134 [29.80]	0.656 [16.66]	1.312 [33.32]	0.449 [11.40]	0.465 [11.81]
3	D9/370000V50	1.674 [42.52]	0.926 [23.52]	1.852 [47.04]	0.449 [11.40]	0.465 [11.81]
SPECIAL SIZE 29	D290000V50	1.356 [34.44]	0.767 [19.48]	1.534 [38.96]	0.555 [14.10]	0.585 [14.86]
4	D9/370000V50	2.326 [59.08]	1.250 [31.75]	2.500 [63.50]	0.449 [11.40]	0.465 [11.81]
5	D500000V50	2.218 [56.34]	1.203 [30.56]	2.406 [61.11]	0.555 [14.10]	0.585 [14.86]

DIMENSIONS ARE IN INCHES [MILLIMETERS].
ALL DIMENSIONS ARE SUBJECT TO CHANGE.



Positronic Industries
connectpositronic.com

UNIQUE FEATURES



D-Sub
Accessories

U N I Q U E F E A T U R E S



POSITRONIC[®]
GLOBAL *Connector* SOLUTIONS

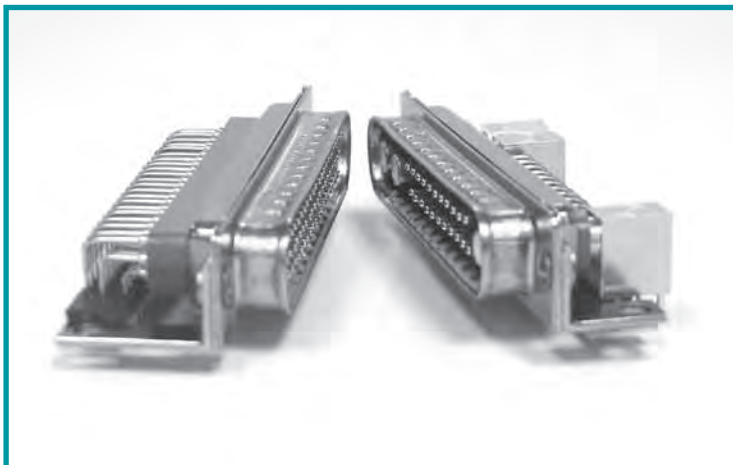
Positronic Industries is **known** around the world **for offering** our customers **flexibility** when choosing connectors.

In addition to allowing **customers** to **create** part numbers for **particular applications**, Positronic offers a **wide variety** of features and accessories within our products.

Positronic is also **eager** to modify existing products **to meet unique customer requirements**. If you do not find what you need with this catalog, please contact us for assistance.

FLARED CONNECTOR HOUSING (SHELLS)

Flared connector housings provide a more **generous misalignment** characteristics than standard D-subminiature connector housings.



SIDE VIEWS OF FLARED CONNECTOR HOUSING (SHELL) FOR
DD62M4R7000-1503.33 (shown left) and
CBD25W3M85R7000-1503.33 (shown right)



Standard
Connector Housing



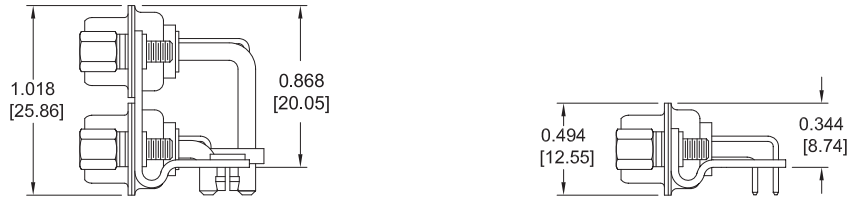
Flared
Connector Housing

CONTACT TECHNICAL SALES FOR
PART NUMBERS AND DETAIL INFORMATION



LOW PROFILE MOUNTING BRACKET

Allows reduced distance from the top of the printed circuit board to the top of the connector compared to standard mounting brackets.



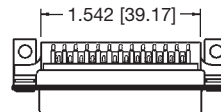
Mounting bracket material: Brass with zinc plate and chromate seal or tin plate.

CONTACT TECHNICAL SALES FOR MORE INFORMATION

CAPTIVE ALIGNMENT BARS FOR ROBOTIC "PICK AND PLACE" APPLICATIONS

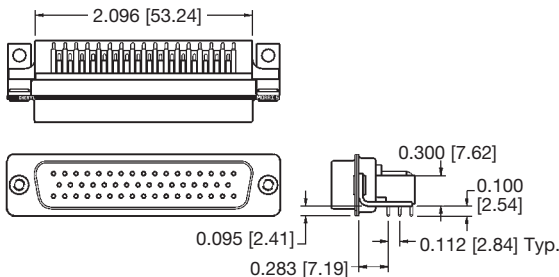
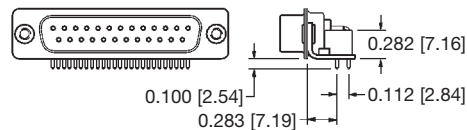
FOR MD-SERIES CONNECTORS, ADD THE SUFFIX "1298.3" TO THE END OF THE PART NUMBER.
FOR ODD-SERIES CONNECTORS, ADD THE SUFFIX "1298.4" TO THE END OF THE PART NUMBER.

Material: Polyphenylenesulfide.

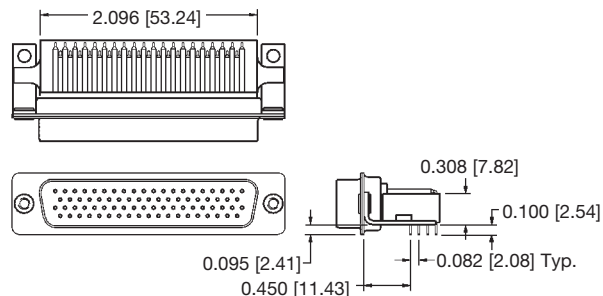


TYPICAL PART NUMBER:
MD25M5R7000-1298.3

CONTACT TECHNICAL SALES FOR MINIMUM ORDER QUANTITIES AND PRODUCTION LEAD TIMES



TYPICAL PART NUMBER:
MD50F5R7000-1298.3



TYPICAL PART NUMBER:
ODD78F5R7000-1298.4

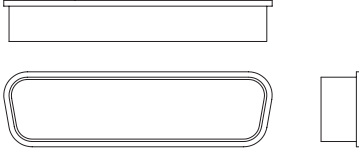


PROTECTIVE COVER

SUPPLIED AS STANDARD WITH ALL WD AND WDD SERIES CONNECTORS

COVER WITHOUT EARS

FOR CONNECTORS WITHOUT FIXED JACKSCREWS



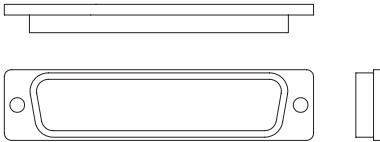
Material: Conductive polyethylene
Color: Black

Optional:

Material: Static dissipative ethylene vinyl acetate
Color: Pink

COVER WITH EARS

FOR CONNECTORS WITH FIXED JACKSCREWS



Material: Conductive polyester
Color: Black

SHELL SIZE	GENDER	CONDUCTIVE REPLACEMENT PART NUMBER WITHOUT EARS	STATIC DISSIPATIVE REPLACEMENT PART NUMBER WITHOUT EARS	REPLACEMENT PART NUMBER WITH EARS
1	Male	4931-9-0-0	4931-9-1-0	4931-9-100-0
	Female	4932-9-0-0	4932-9-1-0	4932-9-100-0
2	Male	4931-15-0-0	4931-15-1-0	4931-15-100-0
	Female	4932-15-0-0	4932-15-1-0	4932-15-100-0
3	Male	4931-25-0-0	4931-25-1-0	4931-25-100-0
	Female	4932-25-0-0	4932-25-1-0	4932-25-100-0
4	Male	4931-37-0-0	4931-37-1-0	4931-37-100-0
	Female	4932-37-0-0	4932-37-1-0	4932-37-100-0
5	Male	4931-50-0-0	4931-50-1-0	4931-50-100-0
	Female	4932-50-0-0	4932-50-1-0	4932-50-100-0
6	Male	---	---	4931-16-100-0
	Female	---	---	4932-16-100-0

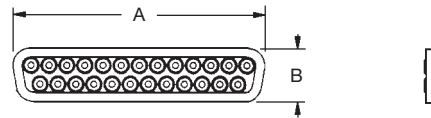


INTERFACIAL SEAL

AVAILABLE FOR MALE CONNECTORS ONLY

SUPPLIED AS STANDARD WITH ALL MALE WD AND WDD SERIES CONNECTORS

CONNECTOR ARRANGEMENTS (SHELL SIZE)	A	B
9 / 15 (Shell Size 1)	0.678 [17.22]	0.338 [8.59]
15 / 26 (Shell Size 2)	1.002 [25.45]	0.338 [8.59]
25 / 44 (Shell Size 3)	1.550 [39.37]	0.338 [8.59]
37 / 62 (Shell Size 4)	2.189 [55.60]	0.338 [8.59]
50 / 78 (Shell Size 5)	2.085 [52.96]	0.446 [11.33]



CONTACT ARRANGEMENT SIZE 25 INTERFACIAL SEAL
(SHOWN FOR REFERENCE ONLY)

Material: Thermoplastic Elastomer (TPE), Santoprene™ or equivalent.

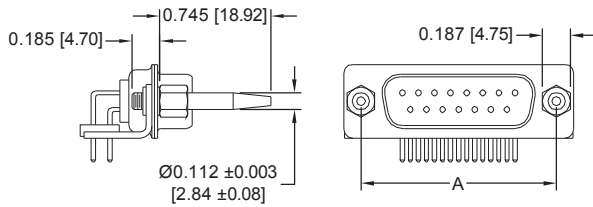
**CONTACT TECHNICAL SALES
FOR PART NUMBERS**



BLIND MATING SYSTEM

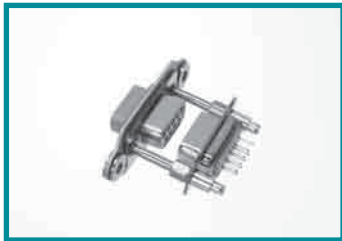
BLIND MATING GUIDE PINS

TO OBTAIN BLIND MATING GUIDE PINS, ADD THE SUFFIX
“-759.0” TO THE END OF THE PART NUMBER.



TYPICAL PART NUMBER:
MD15M5R7000-759.0

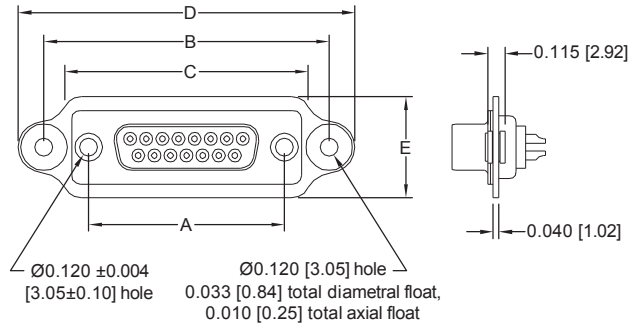
Material: Steel with zinc plate and chromate seal or tin plate; stainless steel, passivated



RD9S1000-759.1 and
HDC9M3S6000-14-759.0

FLOAT MOUNTING PLATE

TO OBTAIN FLOAT MOUNTING PLATE, ADD THE SUFFIX
“-759.1” TO THE END OF THE PART NUMBER.



TYPICAL PART NUMBER:
MD15F20000-759.1

Material: Aluminum, yellow anodize standard.
Black anodize available.



ODD26M20000-759.1 and
ODD26F4R700S-759.0

SHELL SIZE	A	B	C	D	E
1	0.984 [24.99]	1.586 [40.28]	1.333 [33.86]	1.930 [49.02]	0.677 [17.20]
2	1.312 [33.22]	1.914 [48.62]	1.661 [42.19]	2.258 [57.35]	0.677 [17.20]
3	1.852 [47.04]	2.461 [62.51]	2.208 [56.08]	2.805 [71.25]	0.677 [17.20]
SPECIAL SIZE 29	1.534 [38.96]	2.146 [54.43]	1.890 [48.01]	2.487 [63.17]	0.789 [20.04]
4	2.500 [63.50]	3.102 [78.79]	2.849 [72.36]	3.446 [87.53]	0.677 [17.20]
5	2.406 [61.11]	3.008 [76.40]	2.755 [69.98]	3.352 [85.14]	0.789 [20.04]

CONTACT TECHNICAL SALES FOR ADDITIONAL ORDERING INFORMATION

Visit our website for the latest catalog updates and supplements at
<http://www.connectpositronic.com/products/58/D-subminiatureAccessories/catalogs/>



Positronic Industries
connectpositronic.com

UNIQUE FEATURES

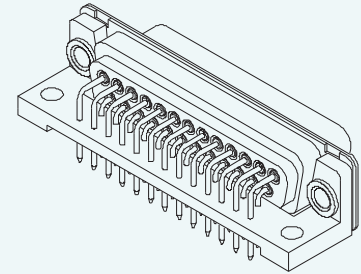
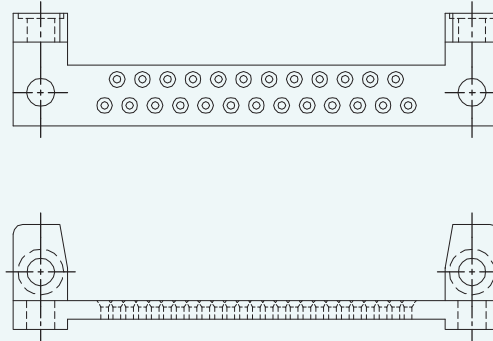


D-Sub
Accessories

SWAGEABLE PLASTIC MOUNTING BRACKET WITH ALIGNMENT BAR

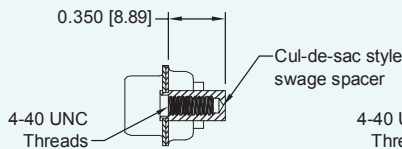


Non-conductive mounting brackets are necessary in many applications. Consult Technical Sales for complete part number.

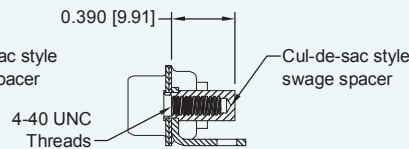


CUL-DE-SAC STYLE MOUNTING ACCESSORIES CODE C5 AND C7

C5
FIXED CABLE CONNECTOR



C7
RIGHT ANGLE (90°)
PRINTED BOARD MOUNT



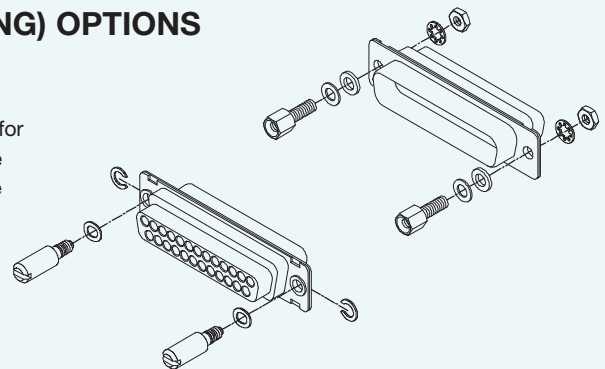
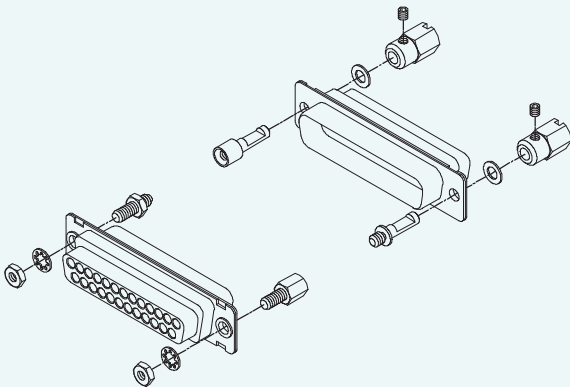
Material: Steel with zinc plate and chromate seal or tin plate; stainless steel, passivated.



CODING DEVICE (KEYING) OPTIONS

UP TO EIGHT CODING DEVICE OPTIONS!

Jackscrews can be supplied in configurations to allow for up to four coding device options, as shown in the table below. An additional four coding device options can be achieved by reversing the connector genders.



OPTION ^{*1}	MALE CONNECTOR	CODE ^{*2}	FEMALE CONNECTOR	CODE ^{*2}
1	2 male rotating	E	2 female fixed	T
2	2 female rotating	E6-833.7	2 male fixed	T6-866.1
3	1 female, 1 male rotating	E6	1 male, 1 female fixed	T6
4	1 male, 1 female rotating	E6-1827.1	1 female, 1 male fixed	T6-827.0

NOTE: ^{*1} Additional 4 options achieved by switching male and female connectors.
^{*2} For jackscrew dimensional information see page 27.

Connector Excellence[®]

Positronic HIGH RELIABILITY Products

POWER



FEATURES:

- High current density
- Energy saving - low contact resistance
- Hot swap capability
- AC/DC operation in a single connector
- Signal contacts for hardware management
- Blind mating
- Sequential mating
- Large surface area contact mating
- Wide variety of accessories
- Customer-specified contact arrangements
- Modular tooling which produces a single piece connector insert

Contact Sizes: 0, 8, 12, 16, 20, 22 and 24
Current Ratings: To 200 amperes per contact
Terminations: Crimp and fixed cable connector, straight solder, right angle (90°) solder, straight compliant press-in and right angle (90°) compliant press-in
Configurations: Multiple variants in a variety of package sizes
Compliance: PICMG 2.11, PICMG 3.0, VITA 41, DSCC, GSFC S-311-P-4, GSFC S-311-P-10

D-SUBMINIATURE



FEATURES:

- Four performance levels available for best cost/performance ratio: professional, industrial, military and space-flight quality
- Options include high voltage, coax, thermocouple and air coupling contacts; environmentally sealed and dual port connector packages including mixed density
- Broad selection of accessories
- Size 20 and 22 contacts suitable for use in carrying power
- IP65, IP67

Contact Sizes: 8, 16, 20 and 22
Current Ratings: To 100 amperes
Terminations: Crimp, wire solder, straight solder, right angle (90°) solder, straight compliant press-in and right angle (90°) compliant press-in
Configurations: Multiple variants in both standard and high densities, seven connector housing sizes
Qualifications: MIL-DTL-24308, GSFC S-311-P-4, GSFC S-311-P-10, SAE AS39029, DSCC

RECTANGULAR



FEATURES:

- Two performance levels available: industrial quality and military quality
- A wide variety of accessories
- Broad selection of contact arrangement and package sizes
- Connector coding device (keying) options

Contact Sizes: 16, 20 and 22
Current Ratings: To 13 amperes nominal
Terminations: Crimp, wire solder, straight solder, right angle (90°) solder, and straight compliant press-in
Configurations: Multiple variants in both standard and high densities, thirty package sizes
Qualifications: MIL-DTL-28748, SAE AS39029, CCITT V.35

CIRCULAR



FEATURES:

- Non-corrodible / lightweight composite construction
- EMI/RFI shielded versions
- Thermocouple contacts
- Environmentally sealed versions
- Rear insertion/ front release of removable contacts
- Two level sequential mating
- Overmolding available on full assemblies

Contact Sizes: 12, 16, 20 and 22
Current Ratings: To 25 amperes nominal
Terminations: Crimp, wire solder, straight solder, and right angle (90°) solder
Configurations: Multiple variants in four package sizes
Qualifications: Environmental protection to IP67

CABLE



FEATURES:

- Shorten the supply chain and reduce additional costs and delays by "cablizing" your Positronic connector selection
- Overmolding available
- Shielded and environmentally sealed versions available
- Power cables and access boxes which meet the SAE J2496 specification

- ✓ Design assemblies in accordance with customer specifications.
- ✓ Prepare cablized connector configuration and performance specifications.
- ✓ Design each system in accordance with applicable customer, domestic, and international standards.
- ✓ Define and conduct performance and verification testing.

HERMETIC



FEATURES:

- Intended for use as an electrical feedthrough in high vacuum applications
- Leakage rate: $< 5 \times 10^{-9}$ mbar.l/s under a vacuum 1.5×10^{-2} mbar
- Signal, power, coax and high voltage versions available
- Connectors can be mounted on flange assembly per customer specification

Contact Sizes: 8, 12, 16, 20 and 22
Current Ratings: To 40 amperes nominal
Terminations: Feedthrough is standard; flying leads and board mount available upon request
Configurations: See D-subminiature and circular configurations above
Compliance: Space-D32

For more information, visit www.connectpositronic.com or call your nearest Positronic sales office listed on the back of this catalog.

NORTH AMERICAN LOCATIONS

UNITED STATES, Springfield, Missouri, Corporate Headquarters

Factory Sales and Engineering Offices 800 641 4054 info@connectpositronic.com

PUERTO RICO, Ponce Factory

Factory Sales and Engineering Office 800 641 4054 info@connectpositronic.com

MEXICO

Factory Sales and Engineering Office 800 872 7674 info@connectpositronic.com

CANADA

Factory Sales and Engineering Office 800 327 8272 info@connectpositronic.com

ASIA/PACIFIC LOCATIONS

SINGAPORE, Asia/Pacific Headquarters

Factory Sales and Engineering Offices 65 6842 1419 singapore@connectpositronic.com

ASIA, Direct Sales Offices

China - Zhuhai Factory and Sales Office	86 756 3626 466	zhuhai@connectpositronic.com
Shenzhen Sales Office	86 756 3626 466	shenzhen@connectpositronic.com
Shanghai Sales Office	86 158 2907 9779	shanghai@connectpositronic.com
Xian Sales Office	86 29 8839 5306	xian@connectpositronic.com
Beijing Sales Office	86 10 8203 7718	beijing@connectpositronic.com
Korea Sales Office	82 31 909 8047	korea@connectpositronic.com
Taiwan Sales Office	886 2 2937 8775	taiwan@connectpositronic.com

JAPAN, Direct Sales Offices

Sales and Engineering Offices 81 3 5619 8072 japan@connectpositronic.com

INDIA, Direct Sales Offices

Factory Sales and Engineering Offices	91 20 2439 4810	india@connectpositronic.com
Bangalore Sales Office	91 94 4907 3251	bangalore@connectpositronic.com
New Delhi Sales Office	91 80 1071 1175	delhi@connectpositronic.com

ASIA/PACIFIC, Technical Agents

Technical Agents in Australia, Hong Kong, Malaysia, New Zealand, Philippines, Thailand and Vietnam.

EUROPEAN LOCATIONS

FRANCE, Auch Factory, European Headquarters

Factory Sales and Engineering Offices 33 5 6263 4491 contact@connectpositronic.com

EUROPE, Direct Sales Offices

North France Sales Office	33 1 4588 1388	jchalaux@connectpositronic.com
South France Sales Office	33 5 6263 4491	plafon@connectpositronic.com
Eire + Northern Ireland	33 5 6263 4557	tauvin@connectpositronic.com
Italy Sales Office	39 02 5411 6106	rmagni@connectpositronic.com
Germany Sales Office	49 23 5163 4739	cbouche@connectpositronic.com
UK Sales Office	44 1242 897 493	lbridwell@connectpositronic.com

EUROPE & MIDEAST, Technical Agents

Technical Agents in Austria, Benelux, Eastern Europe Countries, Greece, Ireland, Israel, Russia, Scandinavia, Spain, Switzerland, Turkey, Ukraine and the United Kingdom.



POSITRONIC INDUSTRIES, INC.

423 N Campbell Avenue • PO Box 8247 • Springfield, MO 65801
Tel (417) 866-2322 • Fax (417) 866-4115 • Toll Free (800) 641-4054 • info@connectpositronic.com

POSITRONIC INDUSTRIES, S.A.S.

Zone Industrielle D'Engachies • 46 Route D'Engachies • F-32020 Auch Cedex 9 France
Telephone 33 5 6263 4491 • Fax 33 5 6263 5117 • contact@connectpositronic.com

POSITRONIC ASIA PTE LTD.

3014A Ubi Road 1 #07-01 • Singapore 408703
Telephone 65 6842 1419 • Fax 65 6842 1421 • singapore@connectpositronic.com

For most current sales office information, please visit http://www.connectpositronic.com/contact/sales_offices.html

LOOK AT IONS