

ACCESSORY HOUSING AND RELATED PARTS
ACCESSORY HOUSING ASSEMBLY, FUEL PUMP, DRIVES AND COVERS

FIG. REF. 4	PART NUMBER	DESCRIPTION	QUANTITY PER ASSEMBLY
1	73818	GASKET, Accessory housing	1
2	LW-10908	HOUSING ASSY., Accessory	1
3	31CD-20	STUD, 5/16-18 x 2-1/2 long, drill	3
4	25C-12	STUD, 1/4-20 x 1-1/2 long	8
5	31C-13	STUD, 5/16-18 x 1-5/8 long	2
6	LW-10341	INSERT, Heli-coil, 1.00-14 x 3/8 long	1
7	LW-12589	INSERT, Heli-coil, 5/8-18 x 3/8 long	1
8	MS-124703	INSERT, Heli-coil, 3/4-16 x 1-1/8 long	1
9	1102	PLUG, 1/8-27 NPT, Allen head	1
10	71651	FITTING, Breather	1
11	MS29512-10	SEAL, Oil 7/64 section x 23/32 I.D.	1
12	AN814-10L	PLUG, 7/8-14 thd.	1
13	STD-294	GASKET, 7/8 O.D. x 5/8 I.D. x 3/32 annular	2
14	1540	PLUG, Thermometer well	2
15	MS29512-10	SEAL, Oil, 3/32 section x 45/64 I.D.	2
16	LW-14828	REDUCER, 1/2 tubing to 5/8 tubing	2
17	LW-10307	GEAR ASSY., Accessory driven	1
18	71596	WASHER, Accessory drive gear	1
19	STD-208	OIL SEAL, 7/8 I.D. x 1-1/2 O.D. x 5/16 wide	1
20	8313	GASKET, Vacuum pump	1
21	60430	COVER, Vacuum pump	1
22	STD-8	WASHER, 1/4 plain	4
23	STD-160	WASHER, 1/4 lock, internal teeth	4
24	STD-1411	NUT, 1/4-20 plain	4
25	LW-10303	PLUG, Vacuum pump drive	1
26	8313	GASKET, Vacuum pump	1
27	60430	COVER, Vacuum pump	1
28	STD-8	WASHER, 1/4 plain	4
29	STD-160	WASHER, 1/4 lock, internal teeth	4
30	STD-1411	NUT, 1/4-20 plain	4
31	60096	GASKET, Fuel pump	1
32	LW-15473	FUEL PUMP, (6441234)	1
33	STD-33	WASHER, 3/8 plain	2
34	STD-1882	SCREW, 3/8-16 x 1-9/32 long, socket hd. dr. hd.	2

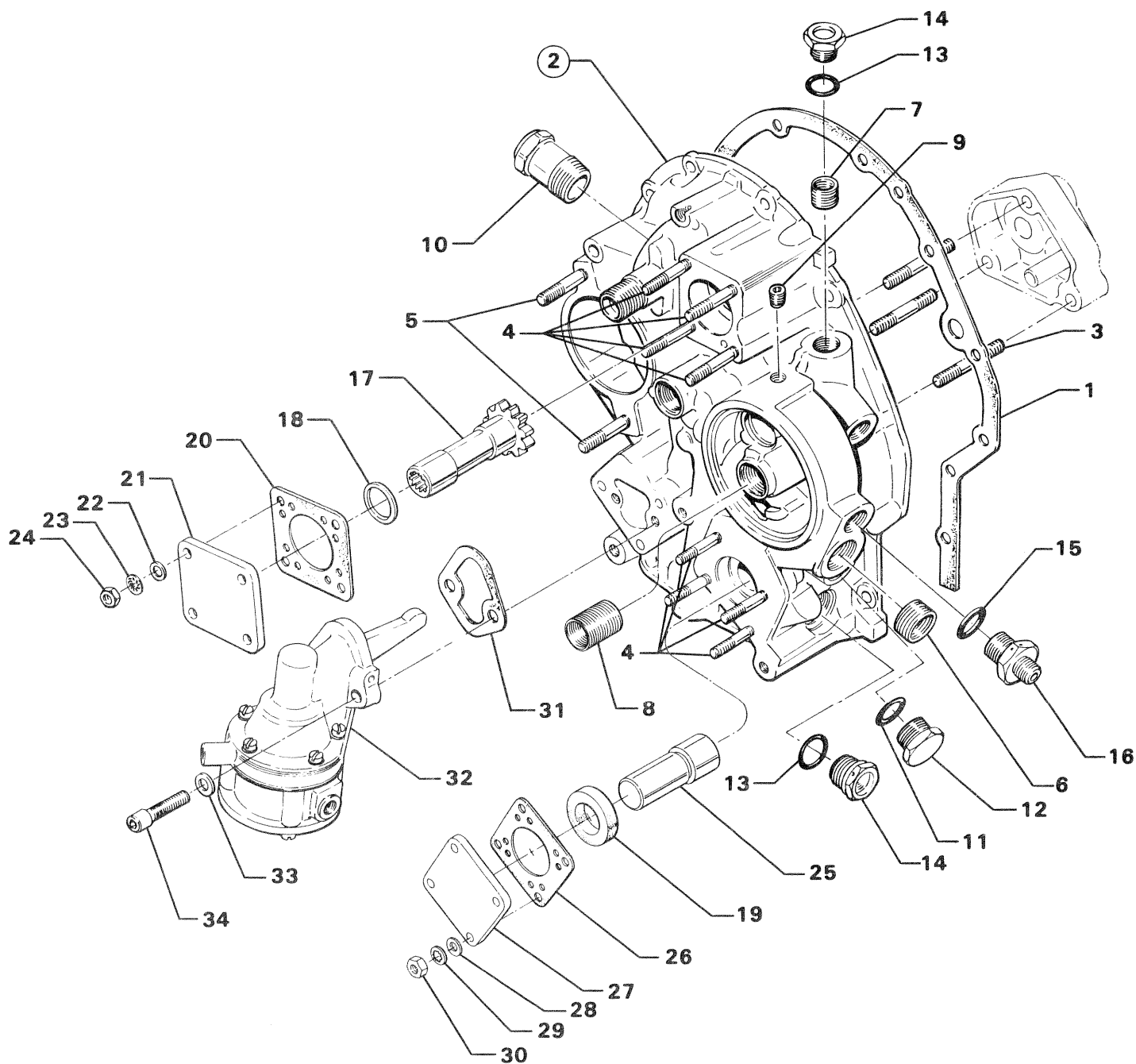


Figure 4. Accessory Housing Assembly, Fuel Pump, Drives and Covers