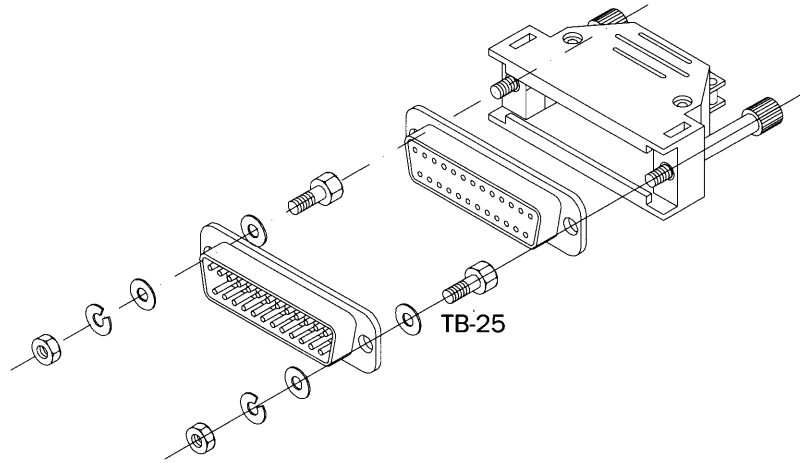
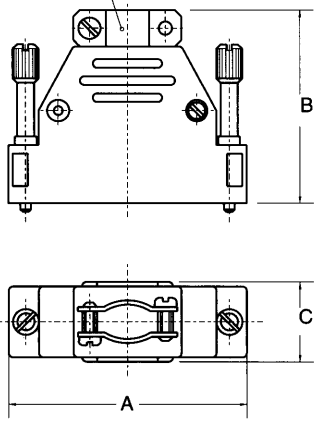
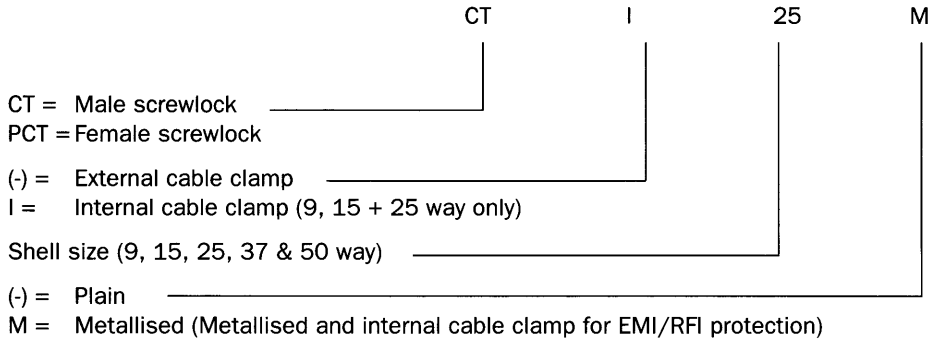


Screwlock System

The industry standard screwlock system. CEEP hoods feature long shank screwlocks for finger or screwdriver operation. Available in both cable-to-panel and cable-to-cable configurations. Hoods can be fitted after the connector has been wired, avoiding time-consuming assembly errors and making it easier for inspection and maintenance.

4-40 UNC thread as standard, while the body is manufactured from tough ABS - UL 94 V0 rated.

Part Number for CT Hoods



Dimensions

Number of contacts	Designation		Dimensions				
	Male screwlock	*Female screwlock	A	B	C	Cable Ø	
						Max	Min
9	CT.09	PCT.09	31.5	30.5	18.2	6	4
15	CT.15	PCT.15	42.0	38.0	18.5	7	5
25	CT.25	PCT.25	55.5	44.0	18.2	8	6
**37	CT.37	PCT.37	72.0	46.0	18.2	7 x 16	5 x 16
**50	CT.50	PCT.50	62.0	46.0	21.5	10 x 16	5 x 16

** For 37 and 50 way cable size based on rectangular cable.

* PCT: Extension cable hood for Screwlock system.

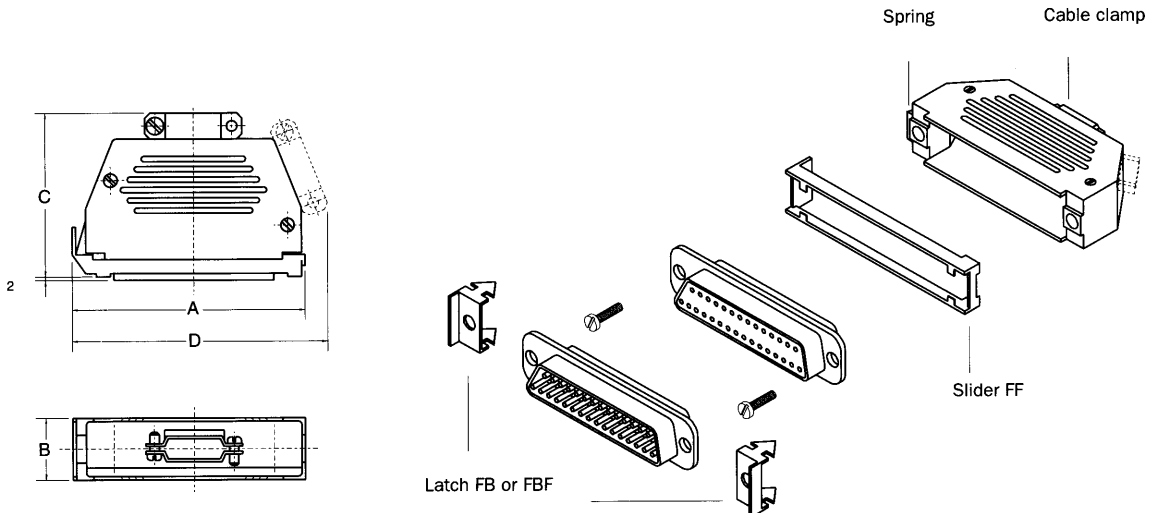
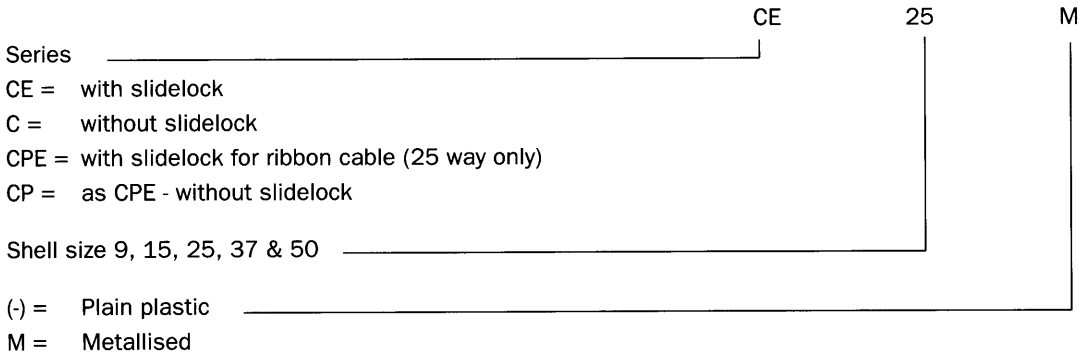
HOODS

Slidelock System

The unique CEEP patented Slidelock system features a push-home-to-lock, push-button-to-release system. Secure mounting is assured by four point locking. Available in cable-to-panel and cable-to-cable configurations. Hoods can be fitted after the connector has been wired, avoiding time consuming assembly errors and making it easier for inspection and maintenance.

The body is manufactured from tough ABS, self extinguishing to UL 94 V0.

Part Number for CE Hoods



Dimensions

Number of contacts	Hood part numbers		Dimensions							
	With locking system	Without locking system	Hoods				Cable entry			
			A	B	C	D	Round		Rectangular	
max	min	max	min							
*9	CE.09	C.09	37	15	34	43	6	4	-	-
*15	CE.15	C.15	45	15	40	53	7	5	-	-
*25	CE.25	C.25	60	15	44	68	8	6	-	-
*37	CE.37	C.37	77	15	52	84	-	-	7.16	5.16
*50	CE.50	C.50	74	18	52	81	-	-	10.16	5.16
**25	CPE.25	CP.25	60	15	36	-	-	-	-	-

PCE/PC: Extension cable hood for Slidelock system.
 ** Type CPE for flat cable, with quick release slidlock.
 ** PCPE: Extension flat cable hood for Slidelock system.