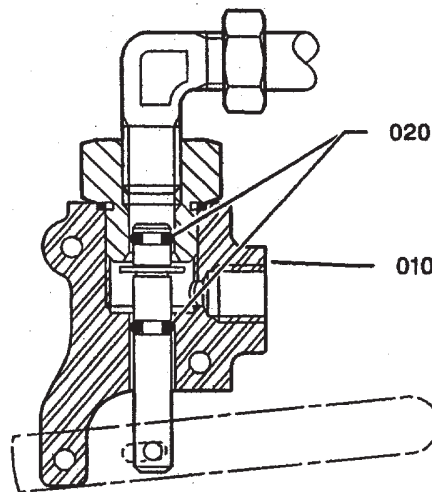
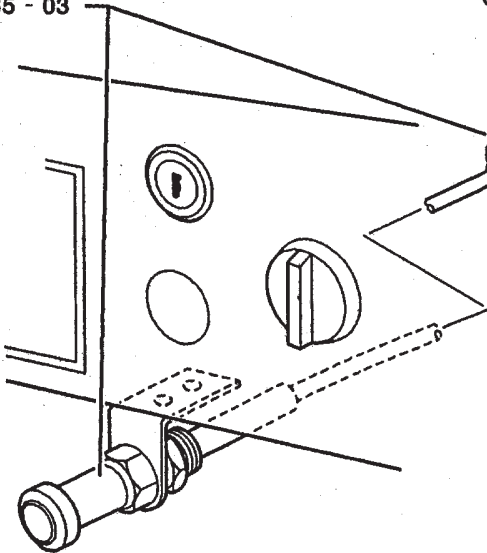


32 - 35 - 03



(A)

VALVE SECOURS TRAIN
LANDING GEAR EMERGENCY VALVE

32-35-02

Validité / Validity : S/N 1 - 9999

Figure 01
Page 0
NOV 01

B 32-35-02 01 GAAAA

K4923502AAA BWZ4302

FIGURE REP ITEM	REFERENCE PART NUMBER	1234567 DESIGNATION DESCRIPTION	EFFECT.	QTE QTY	OBS
01					
-001		VALVE SECOURS TRAIN LANDING GEAR EMERGENCY VALVE		RF	
010	Z00.N7886018400	. VALVE VALVE REPL. PAR / REPLA. BY Z00.N7886527861 (BS/SB 37)	AXXXXX	1	NP
010A	Z00.N7886527861	. VALVE VALVE REPLACE / REPLACES Z00.N7886018400	BXXXXX	1	
020	Z00.N7423070720	.. JOINT TORIQUE O-RING REPL. PAR / REPLA. BY Z00.N7423079006	AXXXXX	2	NP
-020A	Z00.N7423079006	.. JOINT TORIQUE O-RING REPLACE / REPLACES Z00.N7423070720	AXXXXX	2	
030	TB20 47005100	. SUPPORT VALVE VALVE BRACKET		1	OR
		PIECES DE FIXATION/ATTACHING PARTS			
040	Z00.N5101301012	. VIS BOLT		2	
050	Z00.N5741503260	. RONDELLE WASHER		2	
060	Z00.N5402315225	. ECROU NUT		2	

EFFECT. : AXXXXX : S/N 1 - 822 BXXXXX : S/N 823 - 99999					

Validité / Validity : S/N 1 - 9999

- Rep non illustré / Item not illustrated

(*) Après épuisement de stock / After stock depletion

32-35-02

Figure 01

Page 1

NOV 01

B 32-35-02 01 TAAAA