

ME406 Series ELT

For Fixed Wing
and Helicopter
Applications



Artex ME-406 and ME-406HM Emergency Locator Transmitters

SMALLEST
& LIGHTEST
406 ELT IN THE
INDUSTRY!



"Saving Lives"

ARTEX AIRCRAFT SUPPLIES
P.O. Box 1270
Canby, OR 97013
email: info@artex.net
www.artex.net

- Fixed-wing version with single axis G-Switch and helicopter model with 5-axis G-Switch available
- Position accuracy within 3 km
- Transmitter is identified by serial number or aircraft ID
- Worldwide coverage
- Starts below \$1000 for complete package
- 5-year battery life LiMnO₂
- TSO-C126, ETSO-2C126, Transport Canada, COSPAS/SARSAT approved
- Mounting holes compatible with most existing ELT housings
- Single antenna output for both frequencies.

- Designed especially for the *private pilot!*
- 20 years of ELT design experience results in a breakthrough in design
- A low cost solution to 406MHz technology requirements
- 121.5 and 406 MHz
- EASA approved with 121.5/406MHz
- ELT weight: 2 lbs.

Actual Size:
6.6" x 3.7" x 2.9"



560-6603 Rev B
DCN 3091 (10-22-07)

COBHAM
Avionics & Surveillance

SPECIFICATIONS:

Operating Frequencies:

406 MHz \pm 1 kHz Biphase L (16K0G1D)
121.5 MHz \pm 6 KHz

Output Power:

406 MHz: 5 W (440 ms / 50 sec) for 24 hours @ -20° C to +55° C
121.5 MHz: 100 mW min for 50 hours @ -20° C to +55° C

Output Connector:

BNC Female

Activation:

ME406: Automatic by 4.5 ft/sec (2.3 G) Primary G-Switch or Manual

ME406HM: Automatic by 4.5 ft/sec (2.3 G) Primary G-Switch & 12.5 G (+/- 1 G) 5-Way HM G-Switch Assembly or Manual

Battery:

5 year Lithium (LiMnO₂)

Temperature:

Operating: -20° C to +55° C
Storage: -55° C to +85° C

Self Test:

G-Switch enabled
406 MHz Power
121.5 MHz Power
Antenna/Coax Connection
Low Battery

Remote Control:

ON/ARM/RESET

Antenna:

ME406 for fixed wing applications:

Rod (110-338) (< 350 KTS)
Rod (110-348) (< 250 KTS)
Whip (110-773) (< 200 KTS)

ME406HM for helicopter applications:

Rod (110-338)
Rod (110-348)

Mounting Hardware:

Mounting Tray P/N 452-3034

Other Parts:

Coax cable
Buzzer (to alert ground crews of accidental activation)

Weights:

ELT Transmitter: 1.85 lbs (833 g)
Mounting Tray: 3.52 oz (100 g)
Total Weight: 2.05 lbs (933 g)

Measurements:

ELT Transmitter with Mounting Hardware Installed:
6.59" (167 mm) L x 2.86" (73 mm) H x 3.69" (94 mm) W

Part Numbers:

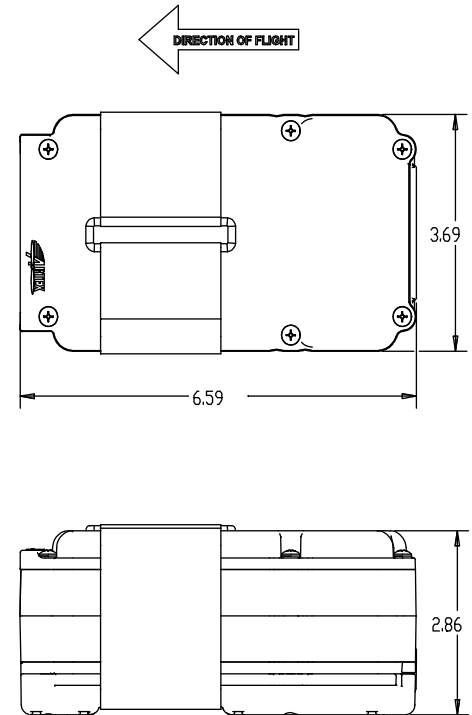
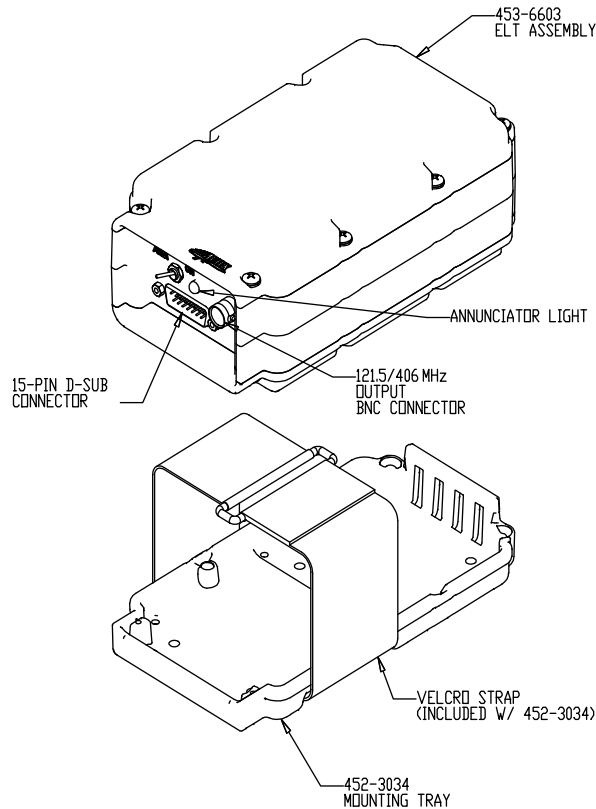
ME-406: 453-6603 (Transmitter Only)
ME406HM: 453-6604 (Transmitter Only)

Artex reserves the right to alter or modify any of the specifications contained herein.

Artex ME-406 Series

The Artex **ME-406** is a single output ELT. Two emergency frequencies (121.5 and 406.028 MHz) utilize the same RF output, requiring only one coax cable to connect to the new series of Artex single input antennas. The ELT automatically activates during a crash and transmits the standard swept tone on 121.5 MHz. Every 50 seconds for 440 milliseconds the 406 MHz transmitter turns on and transmits an encoded digital

message to the Cospas/Sarsat satellite system. The mounting hardware for the ME-406 Series is compatible with all previous models of Artex 406 MHz, as well as the ELT200 Series, ACK, Pointer Model 3000 ELT and Narco ELT's. Current owners of Artex 2-frequency ELT can re-use the remote switch in the cockpit as well as the wiring harness from the cockpit to the ELT thus greatly reducing installation costs.



ELT OUTLINE DRAWING (Dimensions shown in inches)



ARTEX AIRCRAFT SUPPLIES

P.O. Box 1270

Canby, OR 97013

email: info@artex.net

www.artex.net

**Learn more about the Artex ME406 ELTs by calling us at 1.800.547.8901
or visiting our web site at www.artex.net**

560-6603 Rev B
DCN 3091 (10-22-07)

COBHAM
Avionics & Surveillance