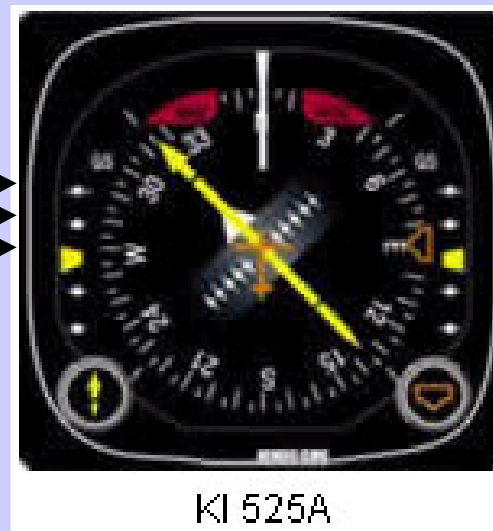


EADS SOCATA STORMSCOPE HEADING SOURCE



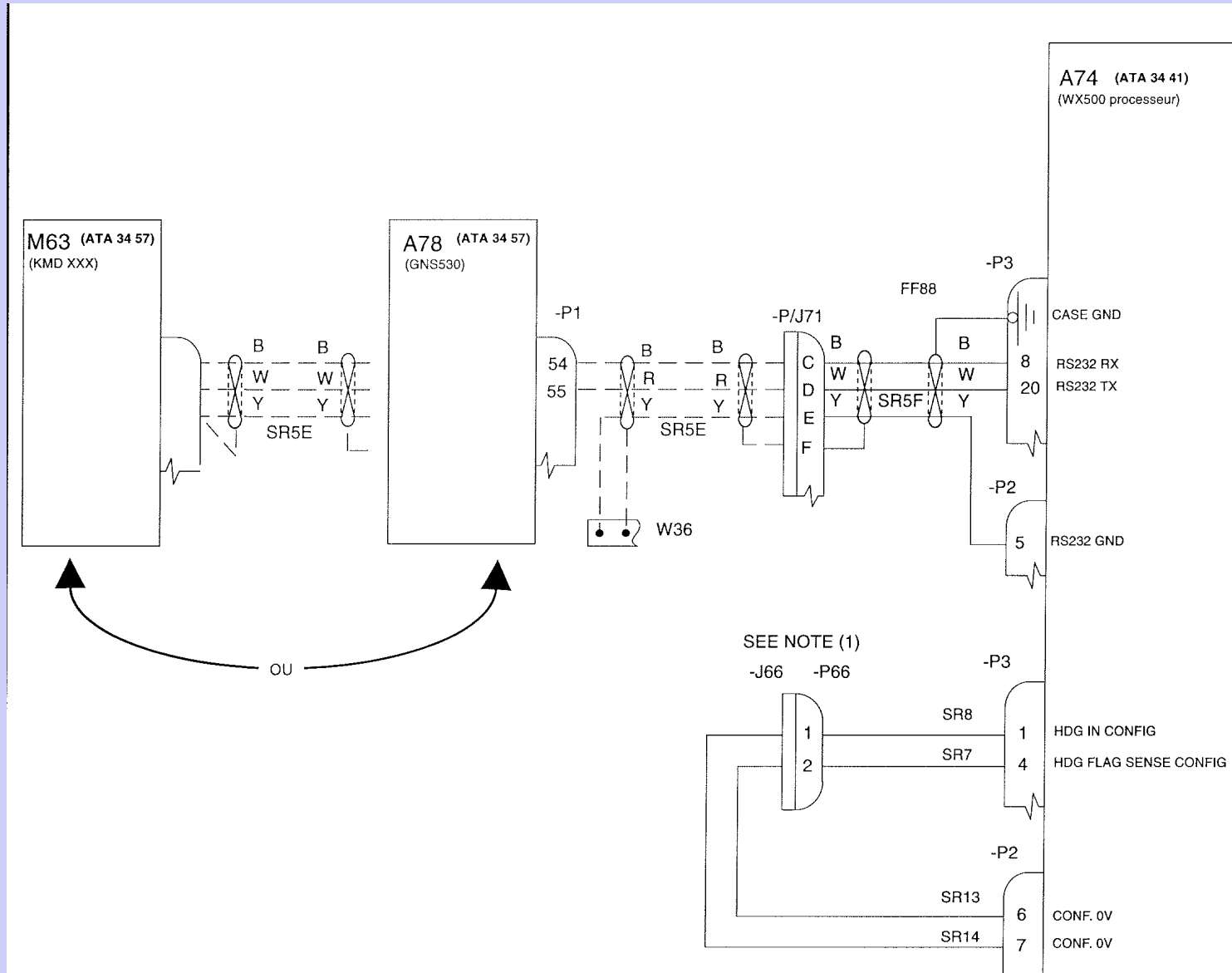
KG102
Heading
Gyro



STORMSCOPE



- A faulty wire as shown may create an undetectable false indication.
- The RMI and HSI remain OK because the information source is reliable.



NOTES:

- (1): J66/P66 NOT CONNECTED WITH KMD550 01/01 VERSION SOFTWARE, AND GNS 530.