

I4284000AAAADYZ4302

SIGNALISATION
FUEL INDICATION

Validité / Validity : S/N 1 - 9999

28-40-00

Figure 01
Page 0
Jul. 95

B 28-40-00 01 GABAA

| FIGURE REP ITEM | REFERENCE PART NUMBER | 1234567 DESIGNATION DESCRIPTION | EFFECT. | QTE QTY | OBS |
|-----------------------|--------------------------|---|---------|------------|-----|
| 01 -001 | | SIGNALISATION FUEL INDICATION | | RF | |
| 010 | 28-40-01 | . JUGEURS GAGES | | RF | |
| 020 | 28-40-02 | . CONDITIONNEUR DE JAUGEAGE GAGING CONDITIONER | | RF | |
| 030 | 28-40-03 | . SIGNALISATION INDICATING | | RF | |

Validité / Validity : S/N 1 - 9999

28-40-00

Figure 01

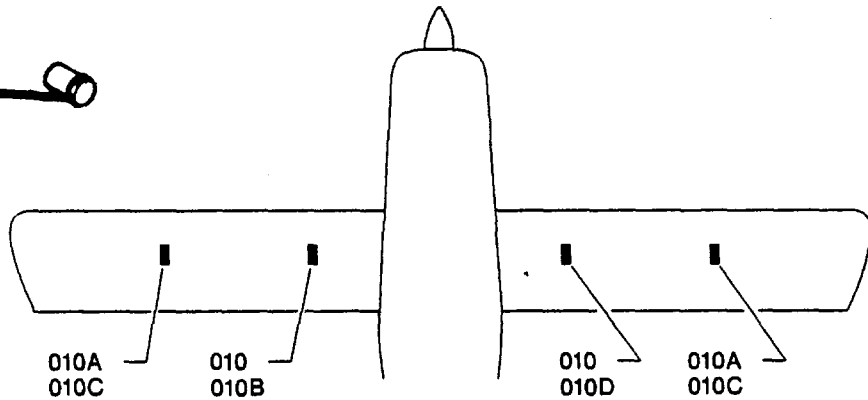
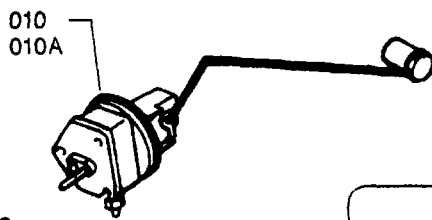
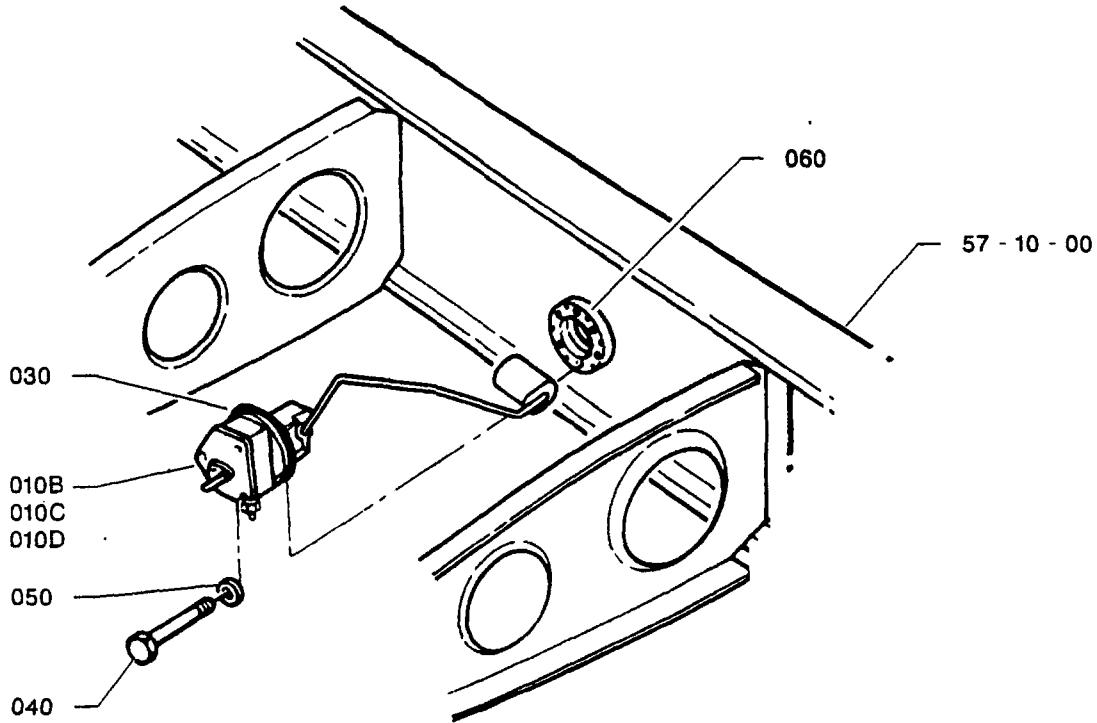
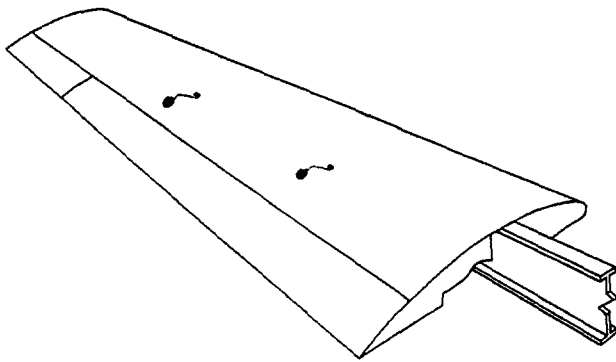
Page 1

MAR 99

- Rep non illustré / Item not illustrated

(*) Après épuisement de stock / After stock depletion

B 28-40-00 01 TABAA



14284001AAA JWZ 4300

JAUGEURS
GAGES

Validité / Validity : S/N 275 - 968, 970 - 1184, 1186 - 1213,
1215 - 1477, 1479 - 1505, 1509 - 1512

28-40-01

Figure 01A
Page 0
Dec. 93

B 28-40-01 01A GAFAB

| FIGURE REP ITEM | REFERENCE PART NUMBER | 1234567 DESIGNATION DESCRIPTION | EFFECT. | QTE QTY | OBS |
|--|--------------------------|---------------------------------------|---------|------------|-----|
| 01A -001 | | JAUGEURS GAGES | | RF | |
| 010 | TB20 52020004 | . JAUGEUR GAGE NOTA/NOTE 1 | B01624 | 2 | NP |
| 010A | TB20 52020005 | . JAUGEUR GAGE | A01624 | 2 | NP |
| 010B | TB20 52041003 | . JAUGEUR GAGE | AXXXXX | 1 | |
| 010C | TB20 52041002 | . JAUGEUR GAGE | BXXXXX | 2 | |
| 010D | TB20 52041004 | . JAUGEUR GAGE | CXXXXX | 1 | |
| 030 | Z00.N7423516901 | . JOINT PLAT GASKET | | 4 | |
| | | PIECES DE FIXATION/ATTACHING PARTS | | | |
| 040 | Z00.N5101229106 | . VIS BOLT | | 12 | |
| 050 | Z00.N5719061160 | . RONDELLE WASHER | | 12 | |
| | | * * * | | | |
| 060 | TB20 52020101 | . EMBASE BASE NOTA/NOTE 2 | | 4 | OR |
| <p>NOTA 1 : En rechanges, commander IMPERATIVEMENT :</p> <p>Pour voilure G - 1 jaugeur emplanture "Point vert" TB20 52041003 et - 1 jaugeur extrémité "Point noir" TB20 52041002</p> <p>Pour voilure D - 1 jaugeur emplanture "Point rouge" TB20 52041004 et - 1 jaugeur extrémité "Point noir" TB20 52041002</p> <p>NOTE 1 : As spares, it is MANDATORY to order :</p> <p>For L.H. wing - 1 "Green point" wing root gage TB20 52041003 and - 1 "Black point" wing tip gage TB20 52041002</p> <p>For R.H. wing - 1 "Red point" wing root gage TB20 52041004 and - 1 "Black point" wing tip gage TB20 52041002</p> <p>NOTA 2 : * En rechanges, commander IMPERATIVEMENT 4 embases TB10 52200113. PANACHAGE INTERDIT : embases identiques sur les 2 voitures.</p> <p>NOTE 2 : * As spares, it is MANDATORY to order 4 bases TB10 52200113. INSTALLATION OF DIFFERENT BASES PROHIBITED : bases identical on both wings.</p> <p>EFFECT. :</p> <p>AXXXXX : Jaugeur emplanture G., "Point vert"/L.H. wing root gage, "Green point" - Non valable/Not valid SEFA</p> <p>BXXXXX : Jaugeur extrémité, "Point noir"/Wing tip gage, "Black point"</p> <p>CXXXXX : Jaugeur emplanture D., "Point rouge"/R.H. wing root gage, "Red point"</p> <p>A01624 : Jaugeur extrémité/Wing tip gage S/N 275 - 968, 970 - 1184, 1186 - 1213, 1215 - 1359, 1362 - 1368, 1370 - 1379, 1381 - 1386</p> <p>B01624 : Jaugeur emplanture/Wing root gage S/N 275 - 968, 970 - 1184, 1186 - 1213, 1215 - 1359, 1362 - 1368, 1370 - 1379, 1381 - 1386 Non valable/Not valid SEFA</p> | | | | | |

AD 1735-2148

Validité / Validity : S/N 275 - 968, 970 - 1184, 1186 - 1213,
1215 - 1477, 1479 - 1505, 1509 - 1512

28-40-01

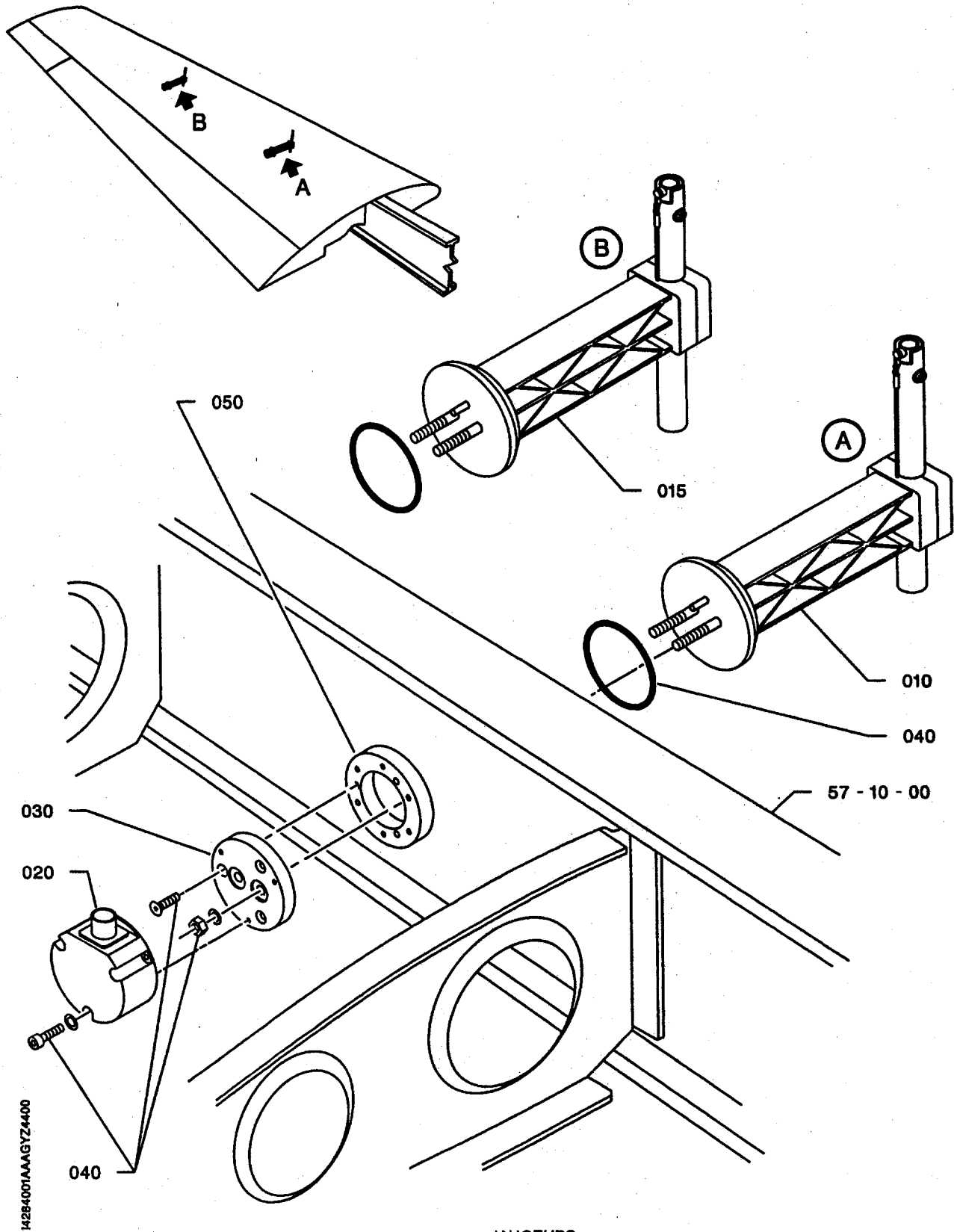
Figure 01A

Page 1

NOV 01

- Rep non illustré / Item not illustrated
(*) Après épuisement de stock / After stock depletion

B 28-40-01 01A TAFAB



JAUGEURS
GAGES

Validité / Validity : S/N 969, 1185, 1214, 1478, 1506 - 1508,
1513 - 9999

28-40-01

Figure 01B
Page 0
Dec. 93

B 28-40-01 01B GAGAC

| FIGURE REP ITEM | REFERENCE PART NUMBER | 1234567 DESIGNATION DESCRIPTION | EFFECT. | QTE QTY | OBS |
|--|--------------------------|---|---------|------------|-----|
| 01B | | | | | |
| -001 | | JAUGEURS GAGES | | RF | |
| 010 | Z00.N6092527223 | . CAPTEUR DECENTRE OFF-CENTERED SENSOR REPL. PAR / REPLA. BY * Z00.N6092527236 ET/AND Z00.N6092527234 NOTA/NOTE 1 | A20145 | 2 | OR |
| -010A | Z00.N6092527225 | . CAPTEUR DECENTRE OFF-CENTERED SENSOR REPL. PAR / REPLA. BY * Z00.N6092527236 ET/AND Z00.N6092527234 NOTA/NOTE 1 | A20145 | 2 | OR |
| -010B | Z00.N6092527236 | . CAPTEUR DECENTRE OFF-CENTERED SENSOR | B20145 | 4 | |
| 015 | Z00.N6092527222 | . CAPTEUR CENTRE CENTERED SENSOR REPL. PAR / REPLA. BY * Z00.N6092527235 ET/AND Z00.N6092527234 NOTA/NOTE 1 | A20145 | 2 | OR |
| -015A | Z00.N6092527226 | . CAPTEUR CENTRE CENTERED SENSOR REPL. PAR / REPLA. BY * Z00.N6092527235 ET/AND Z00.N6092527234 NOTA/NOTE 1 | A20145 | 2 | OR |
| -015B | Z00.N6092527235 | . CAPTEUR CENTRE CENTERED SENSOR | B20145 | 4 | |
| 020 | Z00.N6092527221 | . OSCILLATEUR OSCILLATOR REPL. PAR / REPLA. BY * Z00.N6092527234 ET/AND Z00.N6092527236 OU/OR Z00.N6092527235 NOTA/NOTE 1 | A20145 | 4 | OR |
| -020A | Z00.N6092527227 | . OSCILLATEUR OSCILLATOR REPL. PAR / REPLA. BY * Z00.N6092527234 ET/AND Z00.N6092527236 OU/OR Z00.N6092527235 NOTA/NOTE 1 | A20145 | 4 | OR |
| -020B | Z00.N6092527234 | . OSCILLATEUR OSCILLATOR | B20145 | 4 | |
| 030 | Z00.N7244200000 | . ENTRETOISE SPACER | | 4 | |
| 040 | Z00.N6092527220 | . KIT VISSERIE + JOINT TORIQUE HARDWARE KIT + O-RING | | 4 | |
| 050 | TB10 52200113 | . EMBASE BASE | | 4 | |
| <p>NOTA 1 : Un jaugeur est composé d'un capteur et d'un oscillateur. Le panachage entre un oscillateur et un capteur à des amendements différents (A00 ou A01 ou A02...) est interdit. Le panachage entre deux jaugeurs à des amendements différents (A00 ou A01 ou A02...) est autorisé.</p> <p>NOTE 1 : A gage is composed of one sensor and one oscillator. Mixing between one oscillator and one sensor of various amendments (A00 or A01 or A02...) is prohibited. Mixing between two gages of various amendments (A00 or A01 or A02...) is authorized.</p> <p>EFFECT. : A20145 : Avant/Pre-MOD 140 B20145 : Après/Post-MOD 140</p> | | | | | |

AD 1735-1778-2148-2358 PE 186

Validité / Validity : S/N 969, 1185, 1214, 1478, 1506 - 1508,
1513 - 9999

28-40-01

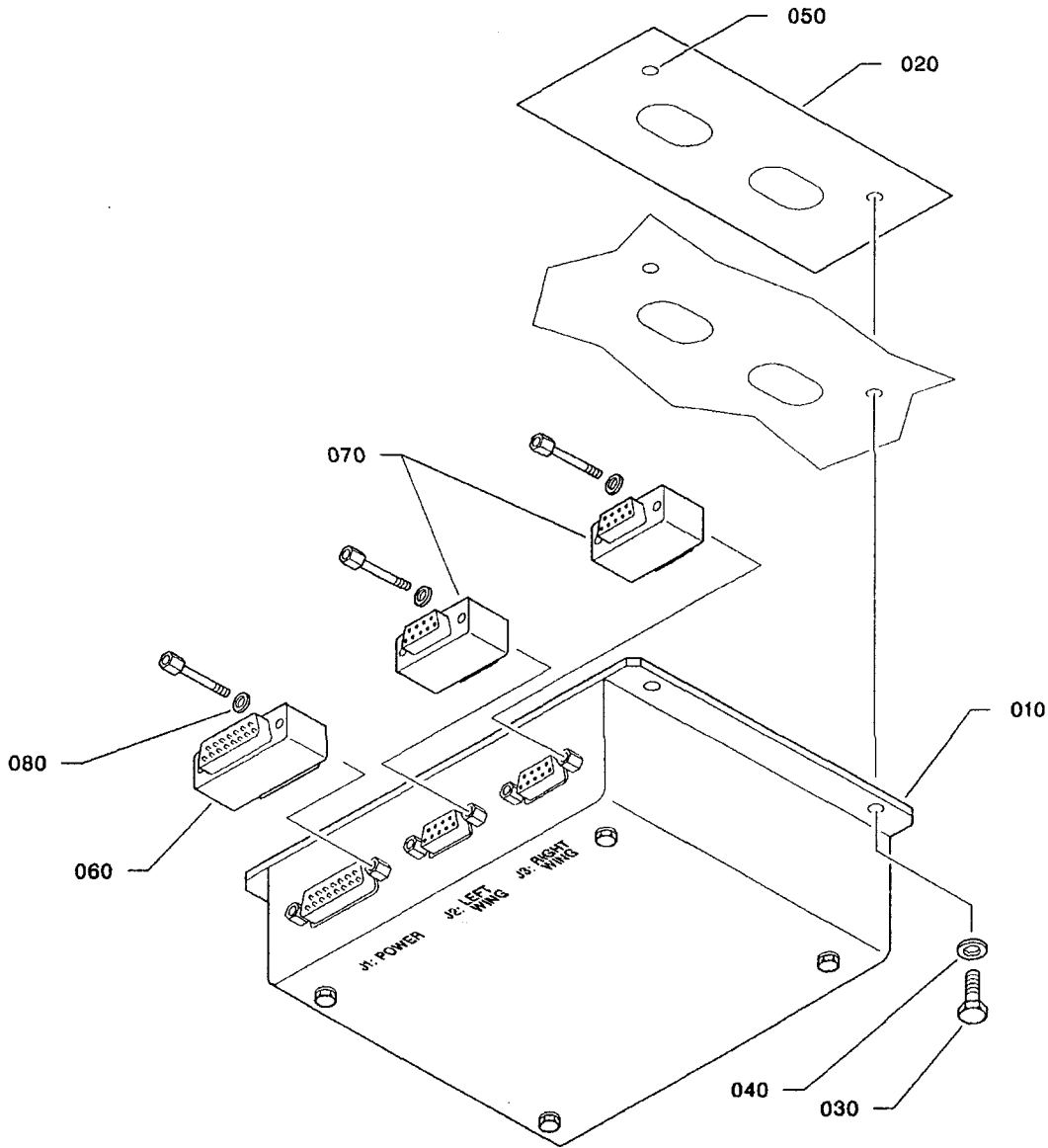
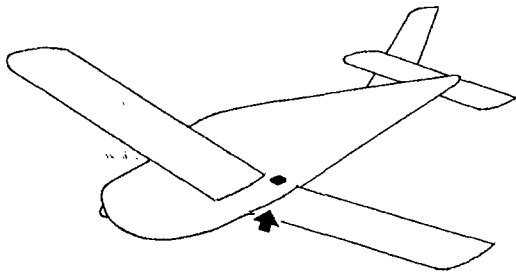
Figure 01B

Page 1

NOV 01

- Rep non illustré / Item not illustrated
(*) Après épuisement de stock / After stock depletion

B 28-40-01 01B TAGAC



1428401AAAHYZ4401

CONDITIONNEUR DE Jaugeage
GAGING CONDITIONER

Validité : S/N 969, 1185, 1214, 1478, 1506 - 1508, 1513 - 9999

Validity : S/N 969, 1185, 1214, 1478, 1506 - 1508, 1513 - 9999

28-40-02

Figure 01
Page 0
JUL 05

| FIGURE REP ITEM | REFERENCE PART NUMBER | DESIGNATION DESCRIPTION | EFFECT. | QTE QTY | OBS. |
|--|--------------------------|--|---------|------------|------|
| | | 1234567 | | | |
| 01 | | | | | |
| -001 | | CONDITIONNEUR DE JAUGEAGE GAGING CONDITIONER | | RF | |
| 010 | Z00.N6092527224 | . CONDITIONNEUR . CONDITIONER REMP. PAR/REPL. BY (*) Z00.N6092527229 | A20078 | 1 | OR |
| -010A | Z00.N6092527229 | . CONDITIONNEUR . CONDITIONER REMP. PAR/REPL. BY (*) Z00.N6092527224 | | 1 | |
| 020 | TB10 61215105 | . PLAQUE DE RENFORT . REINFORCEMENT PLATE | | 1 | OR |
| | | PIECES DE FIXATION/ATTACHING PARTS | | | |
| 030 | Z00.N5111943078 | . VIS . SCREW | | 4 | |
| 040 | Z00.N5701039160 | . RONDELLE . WASHER | | 4 | |
| 050 | Z00.N5427478159 | . ECROU A RIVER DOUBLE PATTE . ANCHOR NUT, TWO LUG * * * | | 4 | |
| 060 | Z00.N7008741606 | . ADAPTATEUR DE FILTRAGE . FILTERING ADAPTER | B20078 | 1 | |
| 070 | Z00.N7008741605 | . ADAPTATEUR DE FILTRAGE . FILTERING ADAPTER | B20078 | 2 | |
| 080 | Z00.N5718061100 | . RONDELLE . WASHER | B20078 | 6 | |
| -090 | Z00.N4815371035 | . PASTILLE AUTOCOLLANTE . SELF-ADHESIVE DISK | | 2 | |
| <p>A20078 : S/N 969, 1185, 1214, 1478, 1506 - 1508, 1513 - 1792 B20078 : Avec conditionneur Z00.N6092527224, Après BS 10-100-28 B20078 : With Z00.N6092527224 conditioner, Post-SB 10-100-28</p> | | | | | |

Validité : S/N 969, 1185, 1214, 1478, 1506 - 1508, 1513 - 9999

Validity : S/N 969, 1185, 1214, 1478, 1506 - 1508, 1513 - 9999

28-40-02

Figure 01

Page 1

AAAA JUL 05

- Rep non illustré / Item not illustrated

(*) Après épuisement de stock / After stock depletion