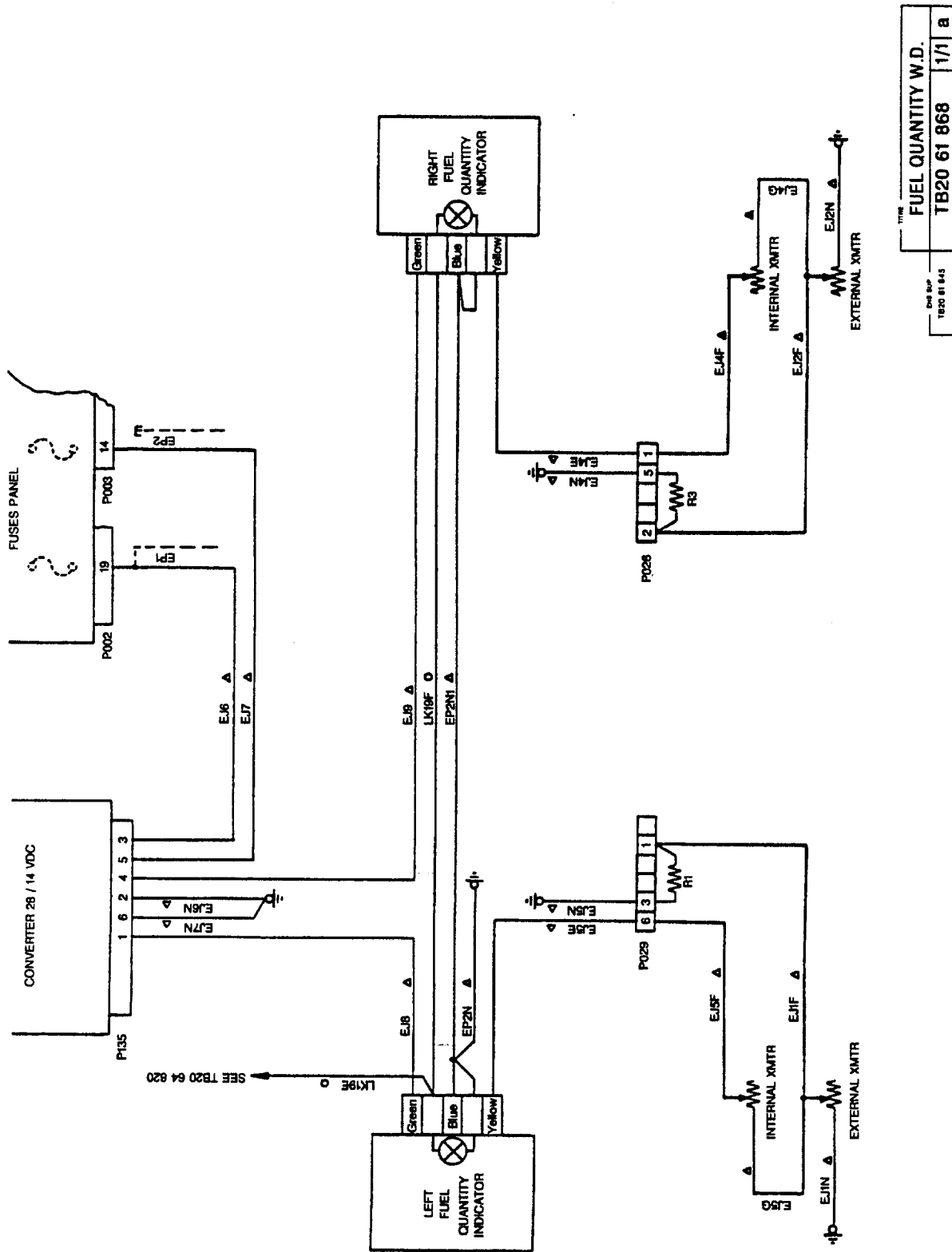


14284000AACAWZ5100



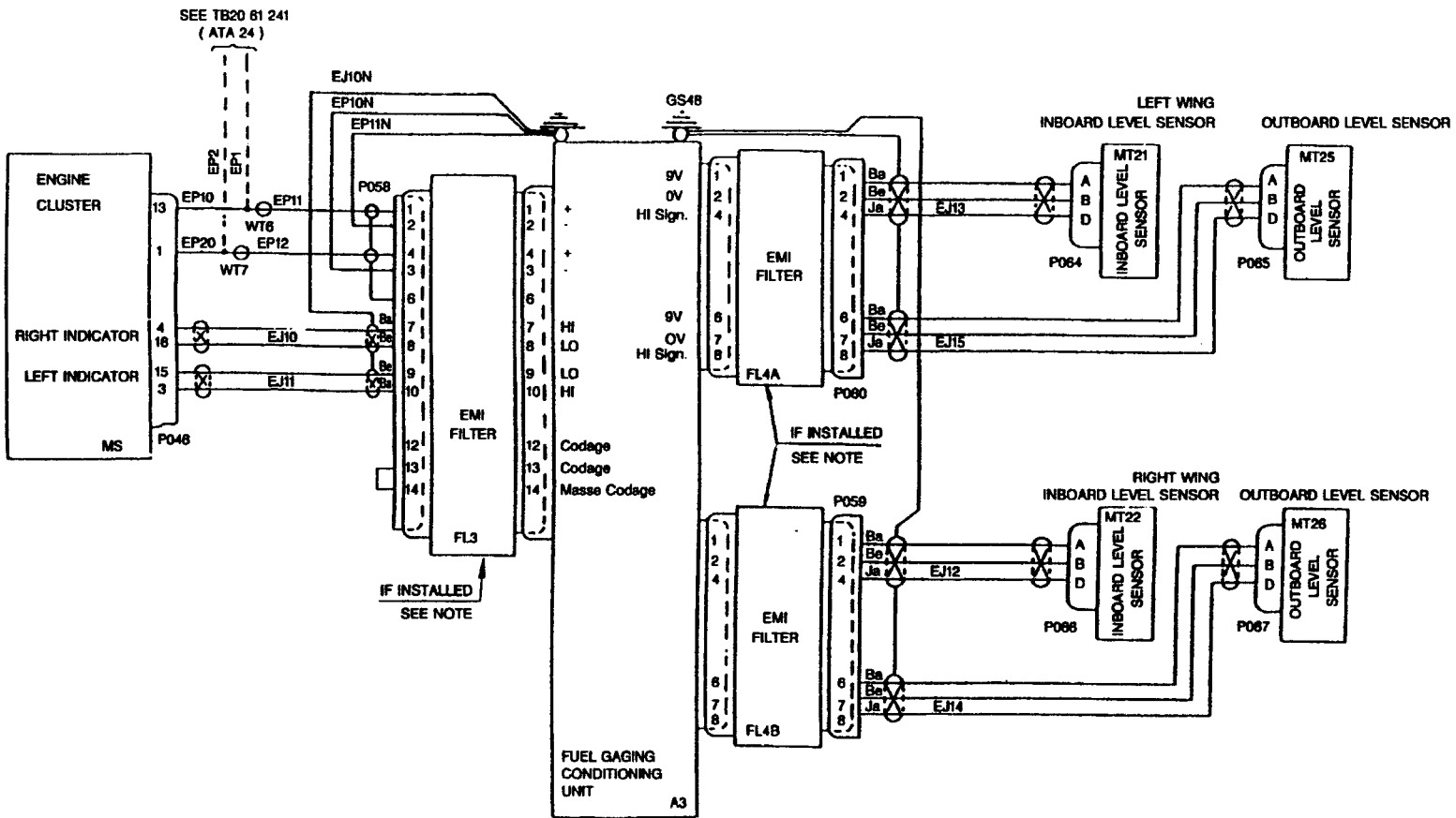
Doc Ref	TB20 61 843
Doc Ref	TB20 61 868
Rev	1/1 a

TB20 61 868

Figure II.4.10 - CONTROLES CARBURANT - FUEL MONITORING

14284000AACBVZ5100

Figure 11.4.11 - CONTROLES CARBURANT - FUEL MONITORING



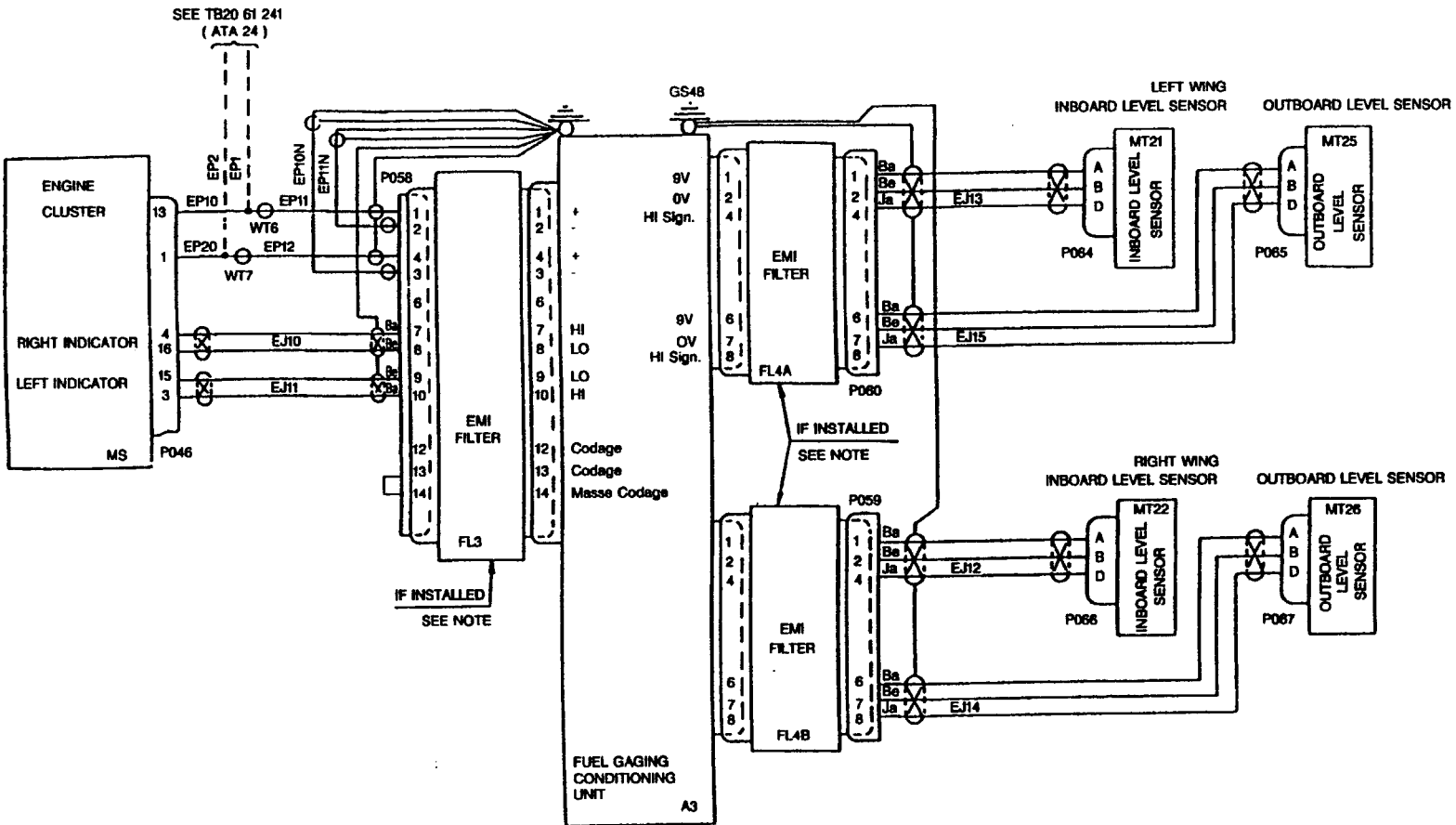
NOTE :

- WITH P / N : JC 9108 A02 0100 CONDITIONING UNIT, THE EMI FILTERS ARE NOT NECESSARY AND INSTALLED (NEWS MANUFACTURES)

TB10 61 232

FUEL MONITORING W.D.		
TB10 61 232	1/2	d3

14284000AACCW25100



NOTE :

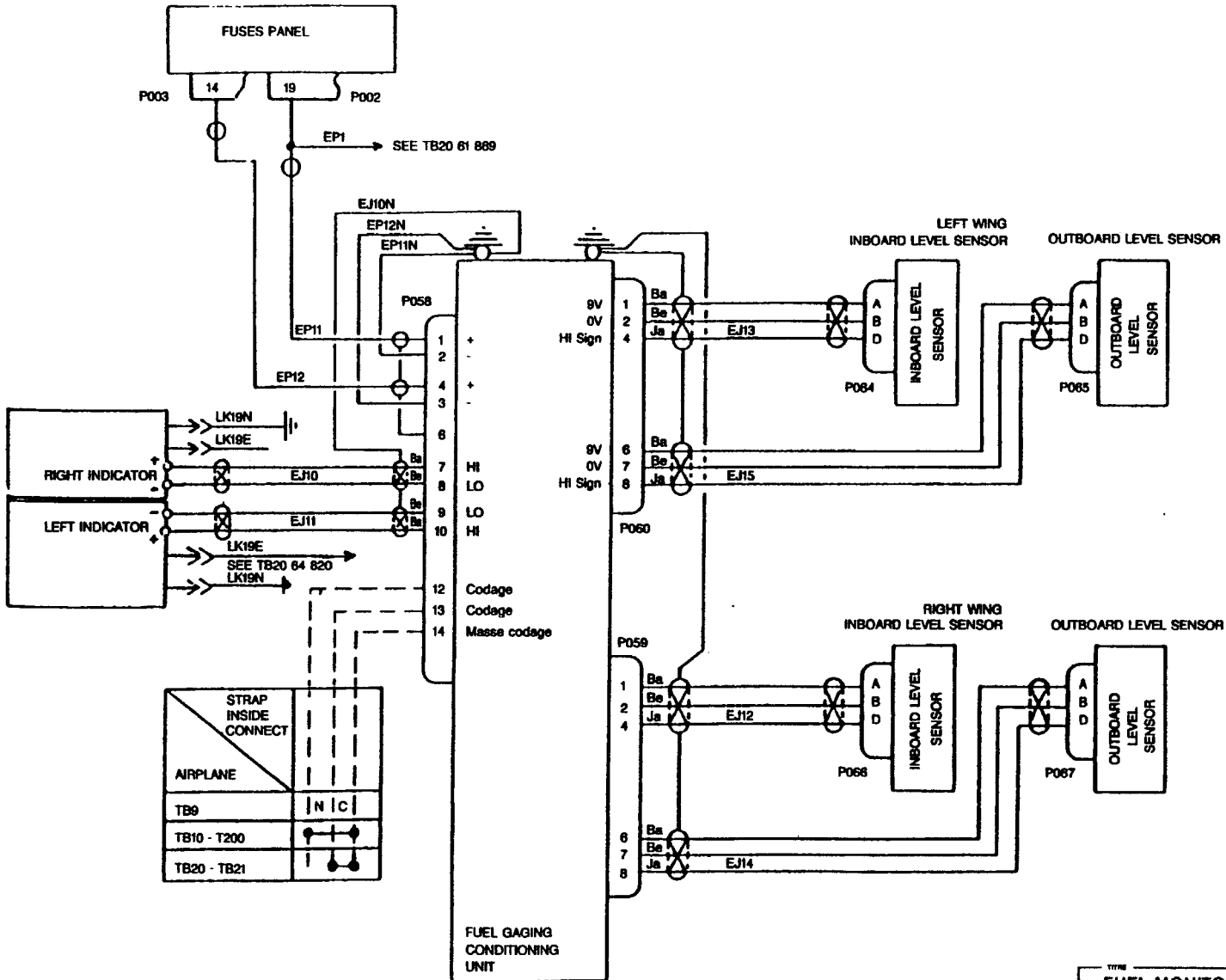
- WITH P / N : JC 9106 A02 0100 CONDITIONING UNIT, THE EMI FILTERS ARE NOT NECESSARY AND INSTALLED (NEWS MANUFACTURES)

TB10 61 232

TITLE		
FUEL MONITORING W.D.		
ENG SUP	TB10/20/21/200	81 203
	TB10 61 232	2/2/d3

Figure II.4.11A - CONTROLES CARBURANT - FUEL MONITORING
(Variante - Alternative procedure)

14284000AACDWZ5100



STRAP INSIDE CONNECT	
AIRPLANE	
TB9	N C
TB10 - T200	• • • • •
TB20 - TB21	• • • • •

FUEL MONITORING W.D.			
TB20 00 205	TB20 61 730	1/1	a

Figure II.4.12 - CONTROLES CARBURANT - FUEL MONITORING

TB20 61 730